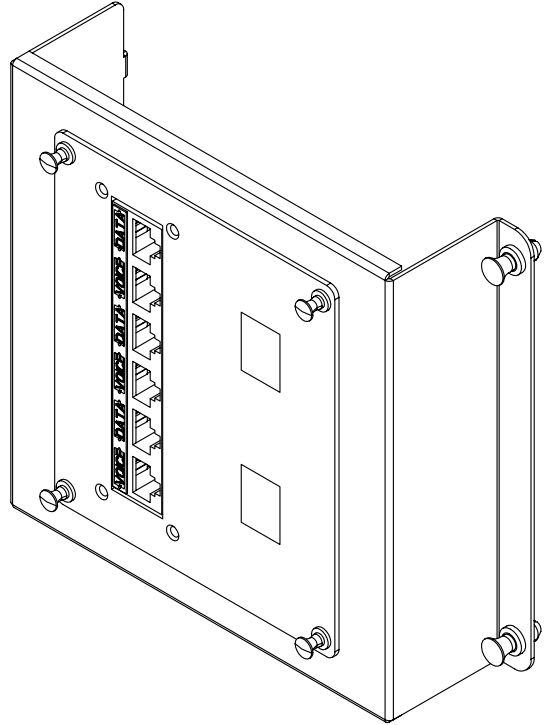


2

1

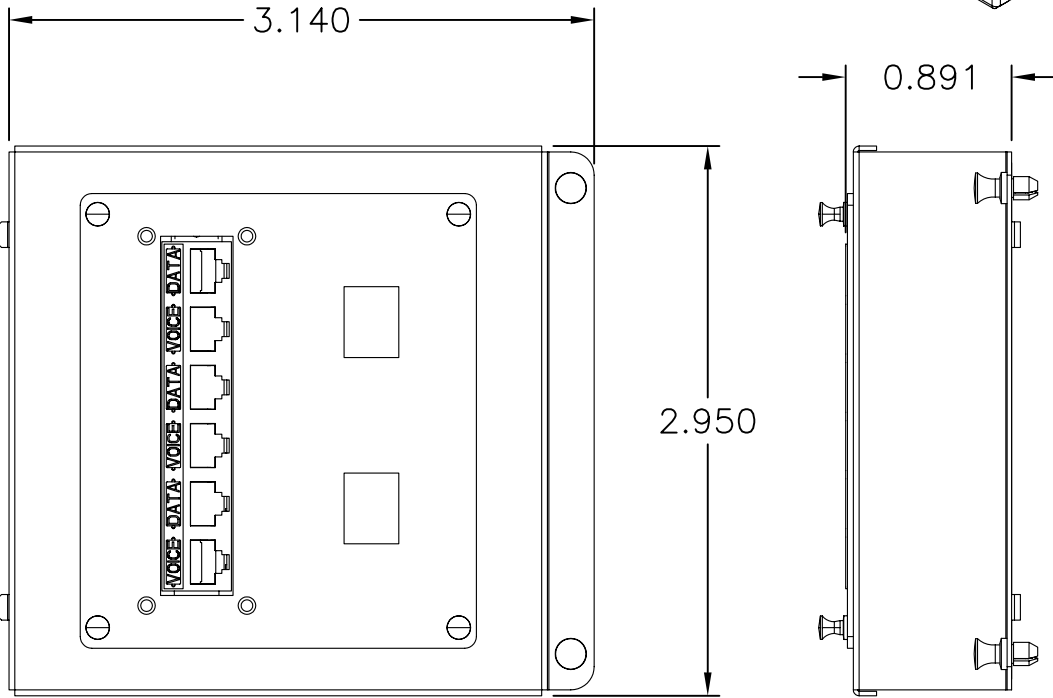
NOTES:

- 1. 110 TO RJ45 CONNECTION
- 2. TERMINATION STANDARD: T568A



B

B



A

A

PROPRIETARY AND CONFIDENTIAL  
 THE INFORMATION CONTAINED  
 IN THIS DRAWING IS THE SOLE  
 PROPERTY OF On-Q/LEGRAND.  
 ANY REPRODUCTION IN PART OR  
 AS A WHOLE WITHOUT THE WRITTEN  
 PERMISSION OF On-Q/LEGRAND  
 IS PROHIBITED. DRAWING IS SUBJECT  
 TO CHANGE WITHOUT NOTICE.



P.O. Box 60907  
 Middletown, PA 17106-0907  
 1-800-321-2343

TITLE:  
**6-PORT CAT5e NETWORK INTERFACE  
 MODULE W/ 2 KEYSTONE OPENINGS**

SIZE <b>A</b>	DWG NO <b>AC1012</b>	FILE NAME <b>CD-AC1012</b>	CUST REV <b>1</b>
REVISED DATE 1/24/08	SCALE <b>NONE</b>	SHEET <b>1 OF 1</b>	

2

1