

4

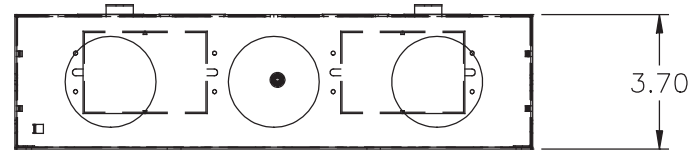
3

2

1

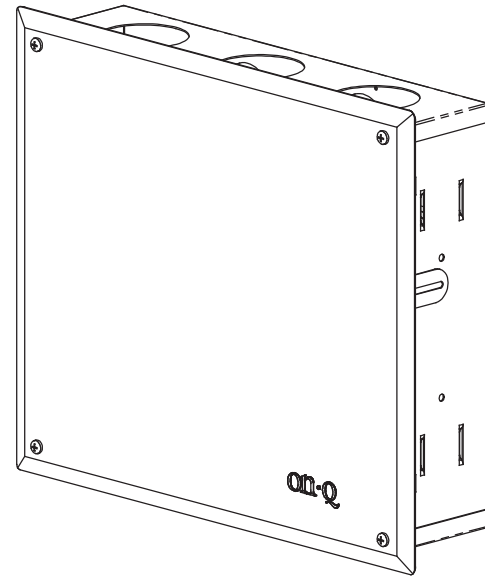
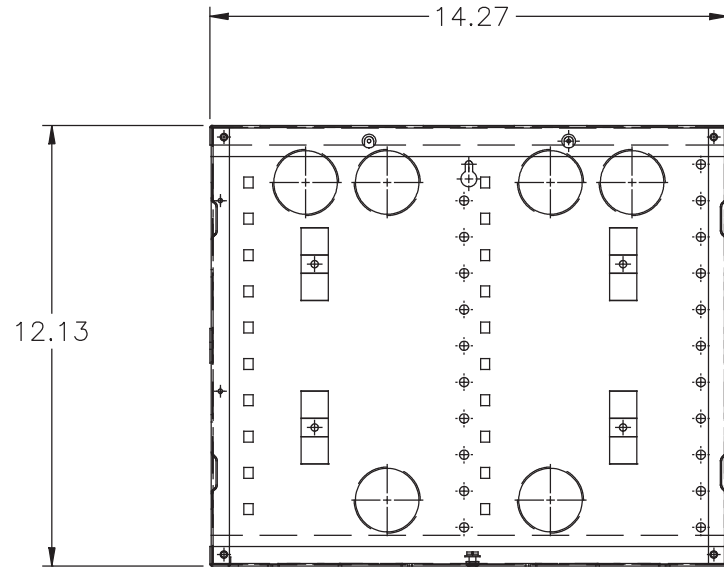
B

B



NOTES:

- 1. UL CATEGORIES: UL985, UL1863
- 2. COATING: POWDER
- 3. STEEL GAUGE: 20
- 4. INSTRUCTION SHEET INCLUDED



A

A

4

3

2

1

PROPRIETARY AND CONFIDENTIAL
 THE INFORMATION CONTAINED
 IN THIS DRAWING IS THE SOLE
 PROPERTY OF On-Q/LEGRAND.
 ANY REPRODUCTION IN PART OR
 AS A WHOLE WITHOUT THE WRITTEN
 PERMISSION OF On-Q/LEGRAND
 IS PROHIBITED. DRAWING IS SUBJECT
 TO CHANGE WITHOUT NOTICE.



P.O. Box 60907
 Harrisburg, PA 17106-0907
 1-800-321-2343

TITLE: 12 IN ENCLOSURE WITH SCREW ON COVER			
SIZE B	DWG NO CD-EN1200	FILE NAME CD-EN1200	CUST REV 1
REVISED DATE 3/01/2013	SCALE NONE	SHEET 1 OF 1	