

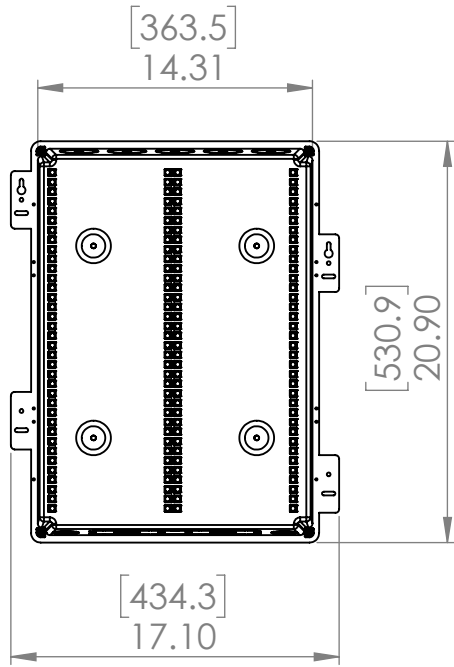
2

1

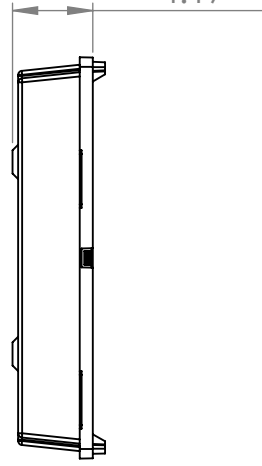
B

B

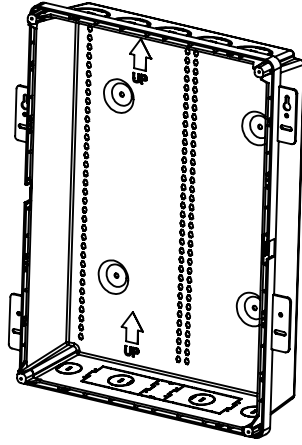
Without tabs



[105.9]
4.17



With tabs



A

A

DIMENSIONS ARE IN INCHES UNLESS OTHERWISE SPECIFIED TOLERANCES 2 PLACE DECIMAL ± .02 3 PLACE DECIMAL ± .005 4 PLACE DECIMAL ± .0005 ANGULAR ± 30'	DRAWN - DATE - APPROVED - DATE -	legrand® P.O. Box 60907 Harrisburg, PA 17106-0907 1-800-321-2343
	DESCRIPTION: <h1>20" BUCKET</h1>	
MATERIAL FINISH WEIGHT	PROPRIETARY AND CONFIDENTIAL THE INFORMATION CONTAINED IN THIS DRAWING IS THE SOLE PROPERTY OF OnQ/LEGRAND. ANY REPRODUCTION IN PART OR AS A WHOLE WITHOUT THE WRITTEN PERMISSION OF OnQ/LEGRAND IS PROHIBITED.	SIZE A DWG NO ENP2080 REV A
DRAWING IS 3RD ANGLE PROJECTION DO NOT SCALE DRAWING		SCALE 1:5 SURFACE AREA SHEET 1 OF 1

2

1