

2

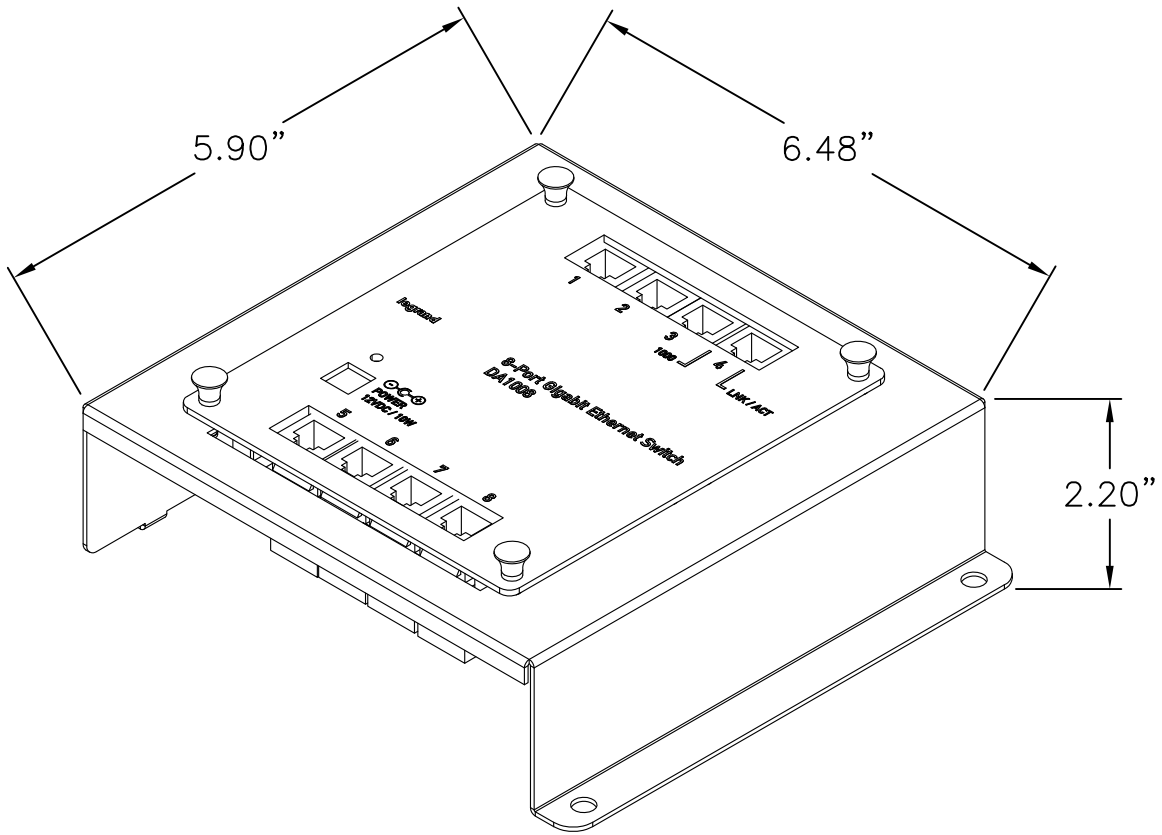
1

NOTES:

- 1. COMPLIANCE OF CLASS A DEVICE IN ACCORDANCE WITH PART 15, CLASS B OF THE FCC RULES.
- 2. POWER REQUIREMENTS: 48 VOLT POWER SUPPLY
- 3. INPUT CONNECTIONS: RJ45 CAT 5E
- 4. OUTPUT CONNECTIONS: RJ45 CAT 5E
- 5. TRANSFER RATE: 10 / 100 / 1000 Mbps

B

B



A

A

PROPRIETARY AND CONFIDENTIAL  
 THE INFORMATION CONTAINED  
 IN THIS DRAWING IS THE SOLE  
 PROPERTY OF On-Q/LEGRAND.  
 ANY REPRODUCTION IN PART OR  
 AS A WHOLE WITHOUT THE WRITTEN  
 PERMISSION OF On-Q/LEGRAND  
 IS PROHIBITED. DRAWING IS SUBJECT  
 TO CHANGE WITHOUT NOTICE.

**on·Q**

**legrand**

P.O. Box 60907  
 Middletown, PA 17106-0907  
 1-800-321-2343

TITLE:

**8-PORT GIGABIT SWITCH  
 WITH 4-PORT POE**

SIZE <b>A</b>	DWG NO <b>DA1458</b>	FILE NAME <b>CD-DA1458</b>	CUST REV <b>1</b>
REVISED DATE 9/10/14	SCALE <b>NONE</b>	SHEET <b>1 OF 1</b>	

2

1