

Figure 1. RF Remote Distribution Module

INTRODUCTION

The part no. 364696-01 RF Remote Distribution Module is intended for use with the part no. 364697-01 RF Remote Receiver/Transmitter Combo. The RF Remote Distribution Module mounts to any OnQ enclosure or network center bracket. The module supports direct wiring of each of the RF Remote Receiver’s 6 “Normally Open”, “Normally Closed” and “Common” output relay terminals to a security panel or home management system controller.

WIRING

The RF Remote Distribution Module provides redundant connection points for each of the RF Remote Receiver’s relay output terminals. All connection points consist of 110 style IDC connectors for connection of category 3, 5 or 5E cables. Connections between the RF Remote Distribution Module and the RF Receiver’s Remote Interface printed circuit board may be provided by 1 to 3 category cables. The distance of each cable run should not exceed 250 feet.

POWER DISTRIBUTION

The security panel or home management system controller may provide 12VDC power directly to the RF Remote Receiver via the RF Remote Distribution module. Alternatively, the RF Remote Distribution Module incorporates a power jack for connection of an external 12VDC transformer power supply. All 12VDC connections points on the RF Remote Distribution Module are electrically common as are all GND connections points.

WARRANTY

OnQ warrants to the end-user, each new ALC product to be free of defects in materials or workmanship for a period of one year from the date of original purchase from OnQ or its authorized reseller or installer. Each product is deemed warrantable under conditions of normal use and when installed and operated within OnQ specifications and in accordance with the applicable National Electrical Code and Safety Standards of Underwriters Laboratories. When determined to be warrantable, OnQ shall at its option and expense, replace any defective product with a new or reconditioned product. OnQ will continue to warrant any replaced product for a period of ninety (90) days from shipment, or through the end of the original warranty period, which ever is longer.

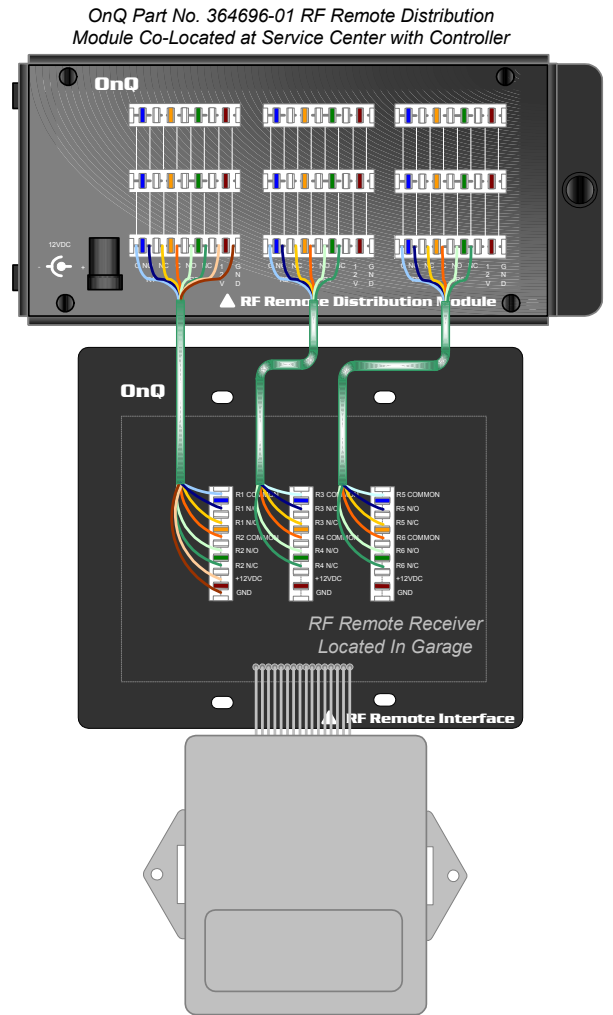


Figure 2. Cable Connections, RF Remote Distribution Module to RF Remote Receiver