

INSTRUCTION/INSTALLATION SHEET

ANYLINE DATA MODULE

IS-0290 REV. 0

1. Introduction

The On-Q Home AnyLine Data Module, P/N 364770-01, is designed for retrofit applications where there is an existing single CAT5 cable and when both a computer connection and telephone connection is desired in an existing location. This module will support up to 4 locations.

2. Description

The On-Q Home AnyLine Data Module, (see *Figure 1*) is designed to be mounted in an On-Q Home enclosure, with two tabs on one end and a locking tab on the other end. It has four RJ45 jacks labeled DATA 1, DATA 2, DATA 3, and DATA 4 which connect the data signals to a network device. One RJ45 jack labeled PHONE IN L1-L4 receives up to 4 incoming phone lines, and one RJ45 jack labeled PHONE BRIDGE/OUT sends the phone signals to an additional module. Four 110 punchdown blocks accept the CAT5 cables coming from the wall plates. Associated with these punch down blocks are four, 3-position DIP switches used to determine which phone line (2 or 3 or 4) gets sent to the room on the Brown pair of wires (line 1 is always carried on the Blue pair, and the data signals are always carried on the Orange and Green pairs).

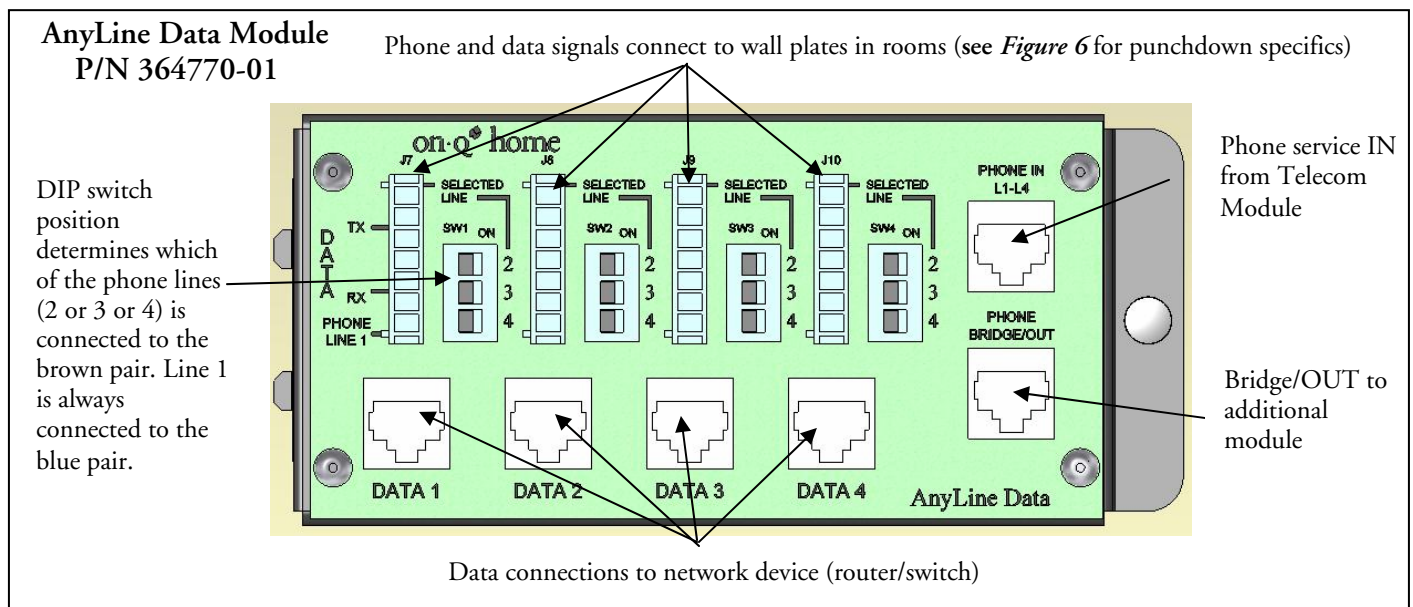


Figure 1

3. Installation

NOTE: Use proper tools and standard TIA 568A rules to prep and terminate the CAT5 cable, such as the On-Q Home CAT5 Cable Stripper (P/N 363292-01) and the On-Q Home 110 Punchdown Tool (P/N 363293-01).

NOTE: An RJ45 Jack Insert (P/N 364289-xx) or RJ25 Jack Insert (P/N 364288-xx) must be installed in wall plate to accommodate phone or data signals (see *Figure 4*).

INSTRUCTION/INSTALLATION SHEET

ANYLINE DATA MODULE

IS-0290 REV. 0

a. Position the AnyLine Data Module in the enclosure, planning for wire management and location of additional modules. Position as close to existing telecom module as possible to assure room drops will reach the 110 punchdown blocks on the AnyLine Data Module.

b. Align two stationary tabs on the module with slots on the back of the enclosure (see *Figure 2*).

c. Insert tabs by angling module away from the back of the enclosure and sliding forward (see *Figure 2*).

d. Rotate the module and insert the built in locking tab on the module into the corresponding hole on the back of the enclosure, pushing in until it snaps into place (see *Figure 2*).

e. Pull lightly on the module to assure it is properly locked in place.

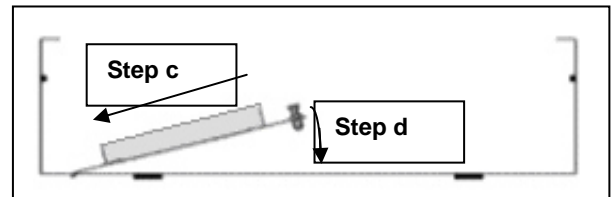


Figure 2

f. Identify room drops to be used and remove from the telecom module. Properly prepare the removed cables and terminate on the AnyLine Data Module's 110 punch down blocks (see *Figures 3 and 6*).

g. Connect up to four of the AnyLine Data Module's RJ45 jacks to the appropriate network device with RJ45 Jumper cables, such as the On-Q Home RJ45 Jumper Cables, P/N 363201-xx.

h. Connect the incoming phone service from telecom module to the AnyLine Data Module's RJ45 jack labeled 'PHONE IN L1-L4'.

i. If applicable, connect the Anyline Data Module's RJ45 jack labeled 'PHONE BRIDGE/OUT' to an additional module using an RJ45 Jumper Cable.

j. Move the appropriate DIP switch (2 or 3 or 4) to the 'ON' position depending upon which phone line (2 or 3 or 4) should be sent to the room on the Brown pair of wires

NOTE: Moving more than one switch will cause a short.

NOTE: Refer to *Figures 4 and 5* for instructions concerning the phone connections on the wall plate.

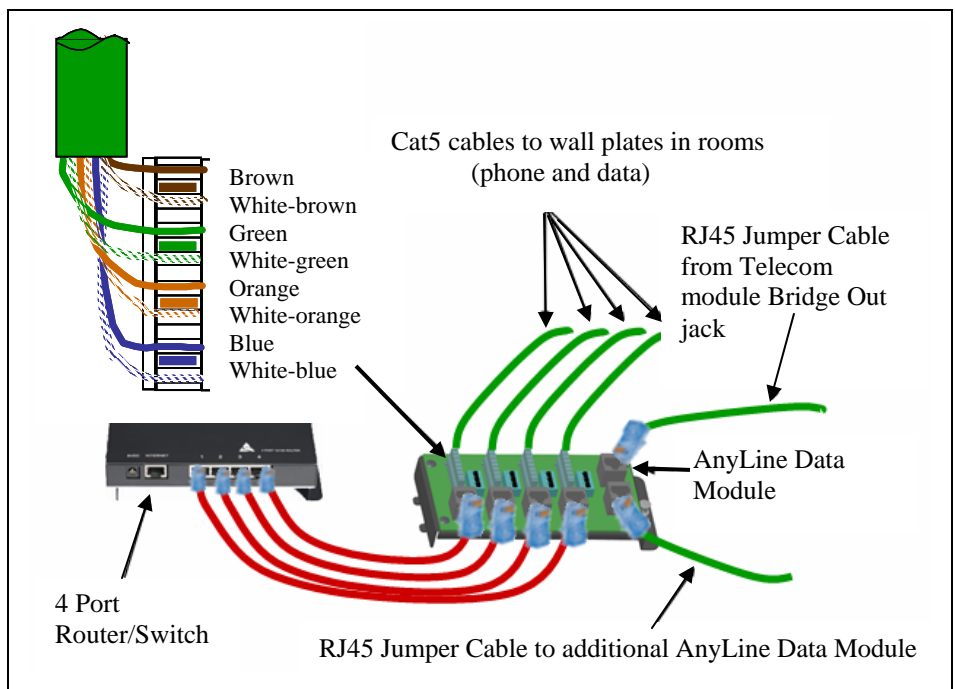


Figure 3

INSTRUCTION/INSTALLATION SHEET

ANYLINE DATA MODULE

IS-0290 REV. 0

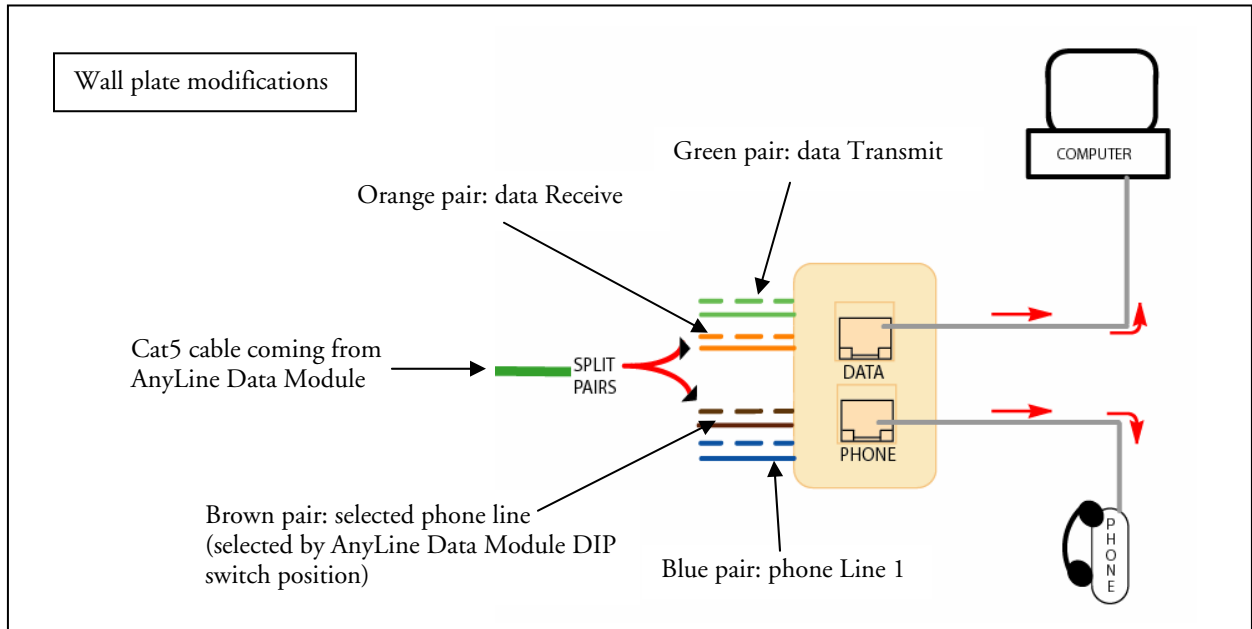


Figure 4

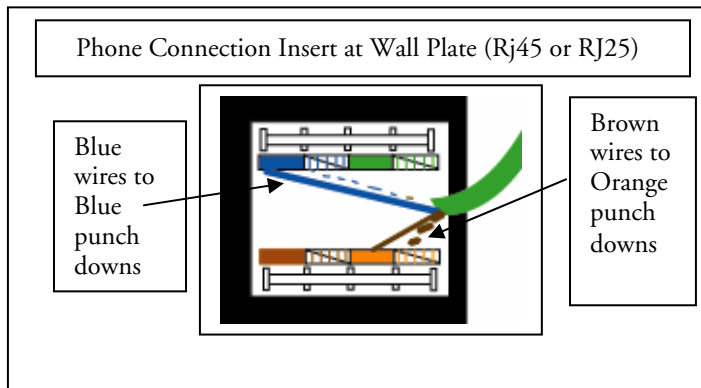


Figure 5

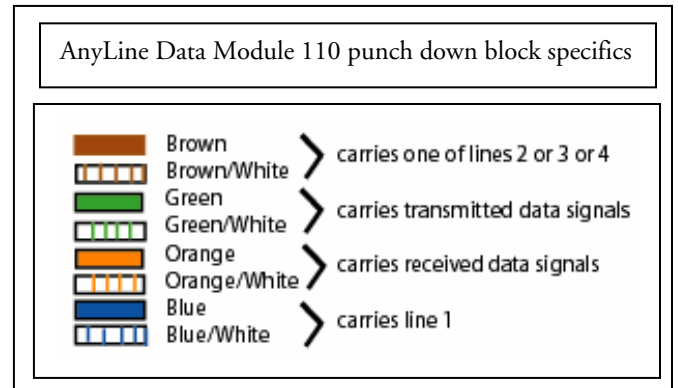


Figure 6

IMPORTANT NOTE: The Brown and Brown/White pair of wires which carries the DIP switch selected phone line, must be connected to the Orange and Orange/White punch downs on the rear of the RJ25 / RJ45 Insert. This will allow a two line phone to receive calls on the second phone line. This is NOT the NORMAL 568A punch down sequence.

The RJ45 Wall Plate Insert used for Data follows the standard punch down convention: follow color code.