

Figure 1. ALC Distribution Module

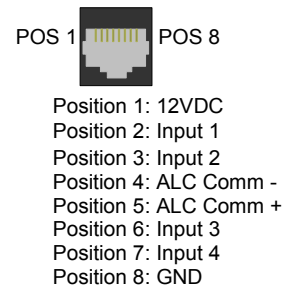


Figure 2. CONTROLLER Connector Pin-Out

INTRODUCTION

The part no. 364645-01 ALC Distribution Module is intended for use with any controller that provides ALC lighting control. The Distribution Module mounts to any OnQ enclosure or Network Center bracket. The Distribution Module supports direct wiring of ALC switches, ALC I/O Modules, ALC Branch Hubs and RF Remote Controls to a centralized connection location to provide a structured wiring installation. A direct wiring methodology is conducive to testing and efficient isolation of faults when they occur. A modular patch cable (included) or RJ31X cable serves as the connection medium between the Distribution Module and the controller.

WIRING

The ALC Distribution Module provides connection points for any combination of up to 11 ALC Dimmers, Relay Switches, Scene Switches, Program Switches, I/O Modules or Branch Hubs. All connection points consist of 110 style IDC connectors for connection of category 3, 5 or 5E cables.

Connection Points 1 thru 8 provide connections for ALC Switches, Branch Hubs or I/O Modules.

Connection Points 1 thru 5 each provide connections for one (1) ALC Auxiliary Switch to support 3-way dimming and switching applications.

Connection Points 6 and 7 are provided for connection of ALC Scene Switches, Program Switches, I/O Modules, Branch Hubs or ALC Dimmer or Relay Switches where multi-way local control is not required.

Connection Point 8 provides connections for up to 3 ALC Auxiliary switches for 3, 4 or 5-way dimming or switching applications.

Connection Point 9 provides connections for 12VDC power distribution to external devices (not to exceed 800mA) such as ALC Branch Hubs and RF Remote Controls.

Connection Points 10 and 11 provide connections for external device outputs, such as an RF remote control receiver, for connection to the controller's inputs.

The "CONTROLLER" connection point provides a modular connector for connection of the Distribution Module to the controller via a modular patch cable or RJ31X cable. See Figure 2 for pin-out details.

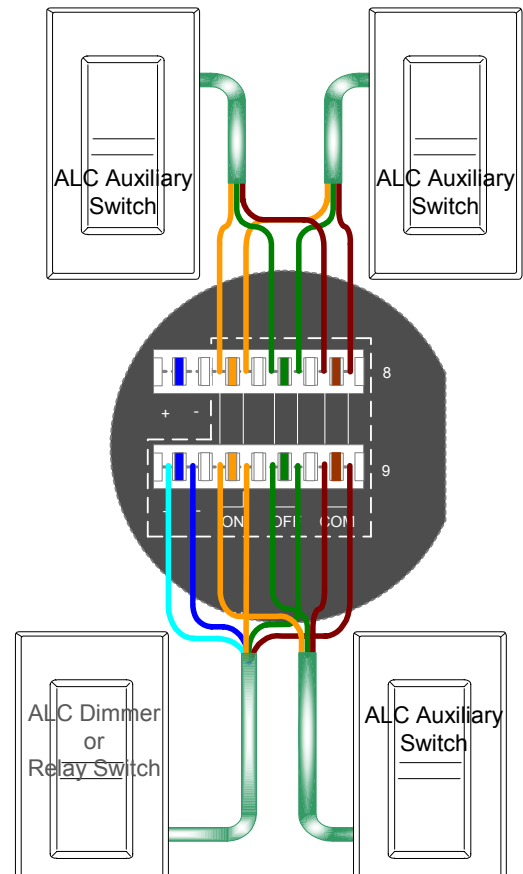


Figure 3. Communications and 5-Way Switching Connections

WARRANTY

OnQ warrants to the end-user, each new ALC product to be free of defects in materials or workmanship for a period of one year from the date of original purchase from OnQ or its authorized reseller or installer. Each product is deemed warrantable under conditions of normal use and when installed and operated within OnQ specifications and in accordance with the applicable National Electrical Code and Safety Standards of Underwriters Laboratories. When determined to be warrantable, OnQ shall at its option and expense, replace any defective product with a new or reconditioned product. OnQ will continue to warrant any replaced product for a period of ninety (90) days from shipment, or through the end of the original warranty period, which ever is longer.