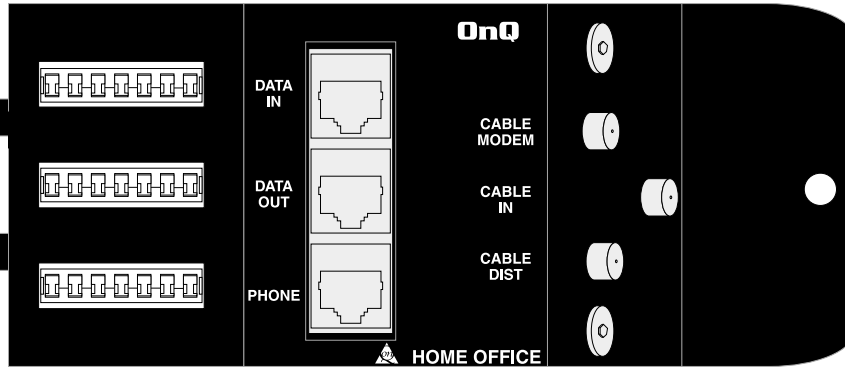




OnQ Technologies, Inc.  
 P.O. Box 60907  
 Harrisburg, PA 17106-0907  
 800-321-2343  
 www.onqtech.com

**Installation/Instruction Sheet**  
**OnQ Home Office Module CAT5E**  
**IS-0060 Rev. C**



**P/N 364415-01**

**1. Introduction:**

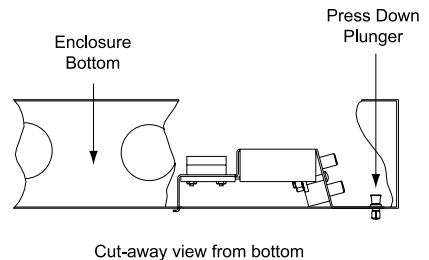
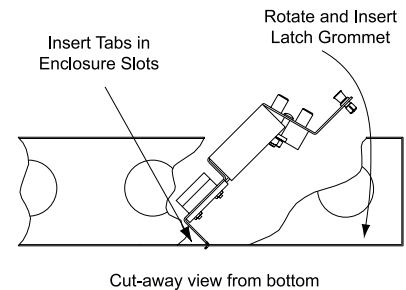
The OnQ Home Office Module, PN 364415-01, provides a structured method for distributing telephone service, twisted pair wide area network data service (XDSL) and RF data services (cable modem) to the home office outlet. The module is for use in OnQ Raised-Rail or Flat-Rail Service Center Enclosures.

**2. Description:**

Each Home Office Module has “F” style fittings for connecting incoming and outgoing coax cable. The module has 110 punch-down connectors and RJ45 vertical connectors for telephone and Category 5E data distribution. The module includes two (2) CAT5E UTP jumpers.

**3. Installation**

- A. Mounting in enclosure - *Refer to Figure 2*
  - 1) Align tabs on the module with slots in enclosure.
  - 2) Insert tabs by angling module away from the back of the enclosure.
  - 3) Rotate the module and insert fasteners on module into corresponding holes on rail of enclosure. (Plunger must be in a pulled position for fastener to engage hole.)
  - 4) Push plunger in to lock module in place. Pull on module to ensure module is locked properly in place.
  
- B. Telephone outlet cable termination
  - 1) Identify outlet cable and route to 110 punch-down block labeled “Phone”. In routing cable, allow slack for bundling to the side and avoiding other cable terminations. Trim cable about 2 inches beyond connector.
  - 2) Strip off approximately 4 inches of the outer jacket using OnQ strip tool 363292-01 or equivalent.
  - 3) Position pairs over color-coded slots on the connector.  
*Refer to Figure 3.*



**Figure 2**

**Note: Do not untwist pairs.**

**Note: White wires may not have color trace stripe.**

**Keep white wire paired with appropriate colored wire based on twist.**

- 4) Without untwisting cable, position the wires in individual slots per *Figure 3*.
- 5) Punch-down and trim wires using OnQ punch-down tool 363293-01 or equivalent.
- 6) Remove excess wire and tug slightly on cable to ensure wire is securely installed in connector.

- 7) Record room name/number to connector number on wire layout label of enclosure.
- 8) Connect long CAT5E jumper from RJ45 jack on the Telecom module to the RJ45 jack labeled "Phone"; 1x6 Telecom (P/N 1267062-01) jack labeled "Outlet Test"; Telecom Expansion (P/N1267058-01) jack labeled "Bridge Out"; 1x11 Telecom (P/N 363484-01) jack labeled "LineJack".

**C. Data (Twisted Pair)**

- 1) Identify incoming data service cable and route to "Data In" 110 punch-down block. In routing cable, allow slack for bundling to the side and avoiding other cable terminations. Trim cable about 2 inches beyond connector.
- 2) Strip off approximately 4 inches of the outer jacket using OnQ strip tool 363292-01 or equivalent.
- 3) Position pairs over color-coded slots on the connector. See *Figure 3*.

**Note: Do not untwist pairs.**

- 4) Without untwisting cable, position the wires in individual slots per *Figure 3*.
- 5) Punch-down and trim wires using OnQ punch-down tool 363293-01 or equivalent.
- 6) Remove excess wire and tug slightly on cable to assure wire is securely installed in connector.
- 7) Identify Wide Area Network Outlet cable and repeat routing to "Data Out".
- 8) Connect short CAT5E jumper cable between RJ45 jacks labeled "Data In" and "Data Out".

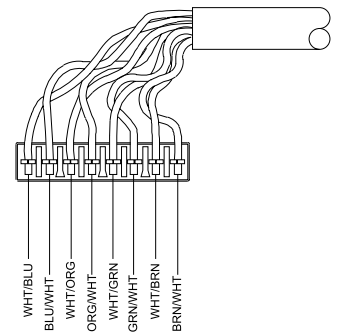
**D. RF Cable Connections**

- 1) Identify incoming service coaxial cable and route to "Cable In" fitting on module. In routing cable, allow slack for bundling to the side. Trim cable to allow loose loop of cable to the connection.
- 2) Attach an RG6 "F" connector to cable. Connect to fitting on module.
- 3) Identify the home office outlets' coaxial cable and route to "Cable Modem" fitting on module. Repeat steps 1 and 2 for routing and installation.
- 4) Make a small coaxial jumper using RG6 cable to connect "Cable Dist" to cable input of any OnQ Video Module.

**E. Securing Cables**

After all cables are connected to the module the cables should be bundled and grouped to allow ease of maintenance. Wire management straps, P/N 363491-01, may be used to bundle cable.

STANDARD TERMINATION  
FOR 110 PUNCHDOWN



**Figure 3**