

1. INTRODUCTION

The lyriQ™ Amplified Knob Volume Control with IR (P/N F7399-xx) receives a line-level audio signal distributed from the lyriQ™ Single Source, Four Zone Distribution Module via Cat 5e cable, amplifies the sound and delivers it directly to the speakers.

NOTE: This Volume Control is for use ONLY with lyriQ™ Single-Source Systems.

2. DESCRIPTION

The lyriQ™ Amplified Knob Volume Control with IR has a rotary knob for volume control and an IR target for remote control of audio equipment at the entertainment center (see **Figure 1**). It is available in White (-WH), Light Almond (-LA) and Ivory (-IV). The Volume Control is terminated with Cat 5e cable using a 110 style punchdown block located on the rear of the Volume Control (see **Figure 2**).



Figure 1

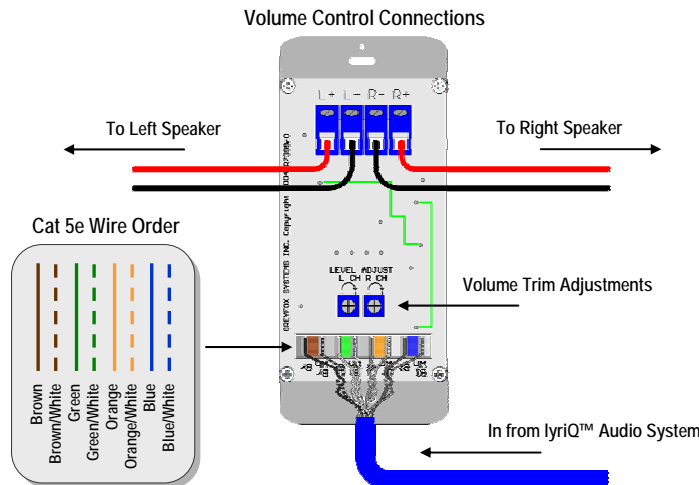


Figure 2

3. IMPORTANT SAFETY PRECAUTIONS

Read all instructions carefully before installing any component of the lyriQ™ Audio System.

- Do not attempt to service, move or change any component of this system unless you are qualified to do so.
- This system should be installed by a qualified installer and must conform to all local building and electrical codes.
- Do not apply power to the lyriQ™ Audio System until all components have been installed and all wiring has been properly terminated.
- Do not attempt to terminate, change or un-install any wiring without first turning off power at the lyriQ™ Distribution Module which is located in the enclosure. Unplug the power transformer that is powering the lyriQ™ Distribution Module from the power outlet before proceeding with wiring terminations or changes.
- Install each component of this system away from heat sources such as HVAC ducts/registers or stoves.
- Do not expose any component that was designed for indoor use to moisture. Doing so can create electrical hazards or render the component unusable. Exposure to moisture will also void the warranty on the system.
- Only use a damp cloth to clean the cover plates of the system components. Do not use vacuum cleaners, liquid or aerosol cleaners.

4. INSTALLATION

IMPORTANT: BEFORE INSTALLATION, REVIEW THE FOLLOWING INSTRUCTIONS.

- Before connecting the Volume Controls, make sure the power supply is not connected to the lyriQ™ Distribution Module in the enclosure.
- The maximum length of Cat 5e cable is 328 feet from the Distribution Module to any Volume Control in the system.
- Install Volume Controls last so you can make any volume trim adjustments on the Volume Control before installing it into the wall.
- For instructions on pre-wiring and installing other components of the LyriQ™ Audio System, please see the installation guide included with those components.

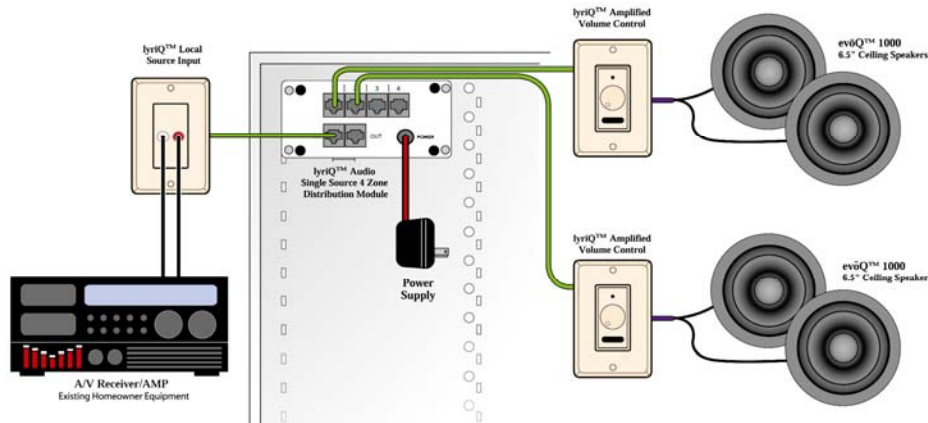


Figure 3

A. CAT 5 TERMINATION

IMPORTANT: ALL WIRING SHOULD BE TERMINATED TO THE T568A WIRING STANDARD AS SHOWN IN FIGURE 2. FAILURE TO FOLLOW THE CORRECT WIRING STANDARD COULD RESULT IN DAMAGED EQUIPMENT.

1. Terminate all volume controls by punching down the prewired Cat 5e cable using a standard punchdown tool with a 110 style blade.

NOTE: Maintain less than 1/2" of untwisting of pairs and make sure that the 110 blade cuts any excess conductor completely.

B. SPEAKER CONNECTIONS

1. Connect speaker wires to the speaker output terminals on the Volume Control as shown in **Figure 2**.

NOTE: Ensure that there is no possibility of shorting two speaker wires together by making clean connections.

C. VOLUME TRIM ADJUSTMENT

Use this procedure to set the maximum allowable volume level and adjust the left/right balance.

1. Turn the Volume Control knob all the way up (right).
2. Locate the two rotary trim potentiometers located on the back of the Volume Control. Using a small Phillips-head screwdriver, adjust both the left and right potentiometer to their lowest setting (all the way to the left).

3. Power on any other components of the lyriQ™ Audio System, including the audio source. Activate the audio source (tune receiver to a clear station, play a cd, etc.)
4. With the system on and music playing, use the Phillips-head screwdriver to slowly adjust the left and right potentiometers up to the loudest point where there is no audio distortion when the Volume Control knob is turned all the way up.

D. MOUNTING

IMPORTANT: CHECK ALL CONNECTIONS AND TEST THE SYSTEM'S OPERATION BEFORE INSTALLING THE VOLUME CONTROLS INTO THE WALL.

1. Use the included screws to install the Volume Control and wall plate into a standard gang box.

E. OPERATION

The lyriQ™ Amplified Knob Volume Control with IR houses a LED directly above the rotary knob.

1. The LED illuminates **solid green** when a music source is playing through the system.
2. The LED **blinks red** when receiving infrared signals from the remote control. If the LED does not blink red then check the batteries in the remote control.