



# lyriQ Charge & Play Kit AU5015



Universal desktop stand fits most smart phones, tablets and MP3 players



Convenient USB charging port

Reliable Cat 5-based installation

**AU5015-XX**  
lyriQ Charge & Play Kit

## INNOVATIVE TECHNOLOGY

### FLEXIBLE LISTENING OPTIONS

Play music stored on a digital device throughout the home with the lyriQ Charge & Play Kit. As a single-source input to the lyriQ Multi-Room Audio System, the Charge & Play Kit supports any tablet, smartphone, and MP3 player via convenient USB port and the player manufacturer's cord.

Left and right stereo inputs provide crystal clear sound to as many as four zones - just plug and play - while the included Universal Smart Cradle desktop stand securely holds any device connected to the system.



lyriQ Room Source Input

## PRODUCT FEATURES

Audio input supports most smart phones, tablets and MP3 players

System charges most devices while connected to lyriQ

Universal desktop stand manages device cords and cables to reduce clutter

Replaces current single source main input module

Supplies 5 volts (2.5w) of power to USB charging port

2 RCA line level inputs

Kit includes: main source input, wallplate, desktop stand and cable

301 Fulling Mill Road, Suite G  
Middletown, PA 17057  
(800) 321-2343

©2012 by Legrand. All Rights Reserved.



[www.legrand.us/onq](http://www.legrand.us/onq)



# LyriQ Charge & Play Kit AU5015

## lyriQ KITS



AU5712-WH  
lyriQ Studio Charge  
& Play 2-Zone Kit



AU5714-WH  
lyriQ Studio Charge  
& Play 4-Zone Kit



AU5744-WH  
lyriQ Studio Multi-Source with  
Charge & Play, 4-Zone Kit



AU5844-WH  
lyriQ Studio High Performance,  
Multi-Source with Charge & Play

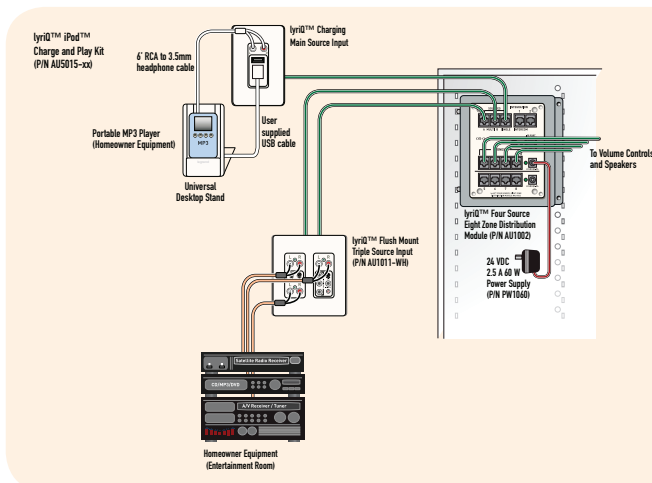
## ADDITIONAL PRODUCTS

PRODUCT	PART NO.	COLOR
lyriQ Charge & Play Kit	AU5015-LA AU5015-WH	Light Almond White
lyriQ Studio High Performance, Multi-Source with Charge & Play 6-Zone Kit	AU5846-WH	White
lyriQ Studio Charge & Play 2-Zone Kit	AU5712-WH	White
lyriQ Studio Charge & Play 4-Zone Kit	AU5714-WH	White
lyriQ Studio Multi-Source with Charge & Play 4-Zone Kit	AU5744-WH	White
lyriQ Studio High Performance, Multi-Source with Charge & Play	AU5844-WH	White
lyriQ Single Source 4-Zone Distribution Module	AU7396	N/A
lyriQ Four-Source, Eight-Zone Distribution Module	AU1002	N/A

## COLORS



## WIRING DIAGRAM



## INSTALLATION AT-A-GLANCE lyriQ CHARGE & PLAY KIT

1. Run a Category 5 cable from a low voltage bracket at the intended room location for the lyriQ™ Charge and Play Kit to the lyriQ™ Four Source, Eight Zone Distribution Module located in the Enclosure.
2. Terminate both ends of the Cat 5 cable with RJ45 plugs, plug the enclosure end into the Single Source input jack on the Distribution Module and the room end into the RJ45 jack on the rear of the AU5015-xx Main Source Input.
3. Mount the AU5015-xx Main Source Input into the low voltage bracket and cover with the supplied wallplate.
4. To use your portable MP3 player as a music source, set the player on the supplied stand, and connect the supplied cable from the headphone output jack on the MP3 player to the left and right RCA audio jacks on the AU5015-xx Main Source Input.
5. To also charge your MP3 player, connect its USB cable from the player to the USB jack on the AU5015-xx Main Source Input.

301 Fulling Mill Road, Suite G  
Middletown, PA 17057  
(800) 321-2343



www.legrand.us/onq

©2012 by Legrand. All Rights Reserved.