

1. Introduction

The HA5202 TVDI Expander Module (see **Figure 1**) provides the ability to expand beyond two, the number of TVDI Control Interfaces supported on the Unity HA6001 Integration Module. Each HA5202 supports four directly connected TVDI Control Interfaces and is able to be cascaded once, so that two TVDI Expander Modules may be associated with one HA6001 Integration Module for support of up to eight TVDI Control Interfaces. (see **Figure 2**).

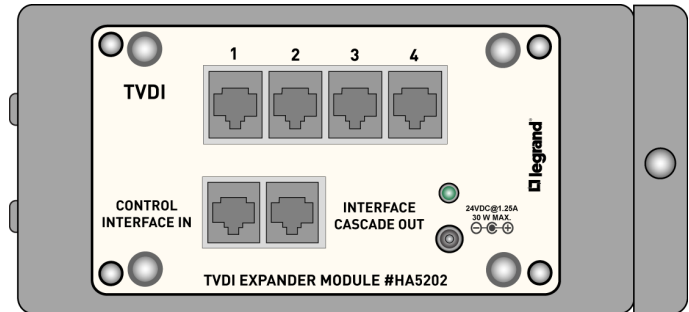


Figure 1

2. Description

- Provides one RJ45 jack for connection to an LCD/TV Display Interface jack on the Unity System Integration Module.
- Provides one RJ45 jack for cascading up to two total TVDI Expander Modules.
- Provides four RJ45 jacks for connection to individual TV Display Interfaces.
- The first TVDI Expander Module is powered by the attached Integration Module. Any TVDI Expander Modules connected via the Cascade jack require a 24VDC Power Supply, as power is not passed over the Cascade connection (see **Figure 2**).

3. Installation

Installation of the Legrand HA5202 and related components is best accomplished at multiple times during new construction, at “Rough-in” before the drywall is installed, and at “Trim-out” after the drywall is installed and painted.

IMPORTANT: Read the manuals that are included with all associated Unity products before installation of any single component. If you are unsure of any of the following installation procedures contact Legrand Technical Support @ 1-800-321-2343 option 1 or contact a Legrand installer.

A. “Rough-in” steps:

1. HA5201-xx: Run a Category 5 cable from each (up to 4) TV Display Interface (HA5201-xx) location to the enclosure housing the HA5202.

B. “Trim-out” steps:

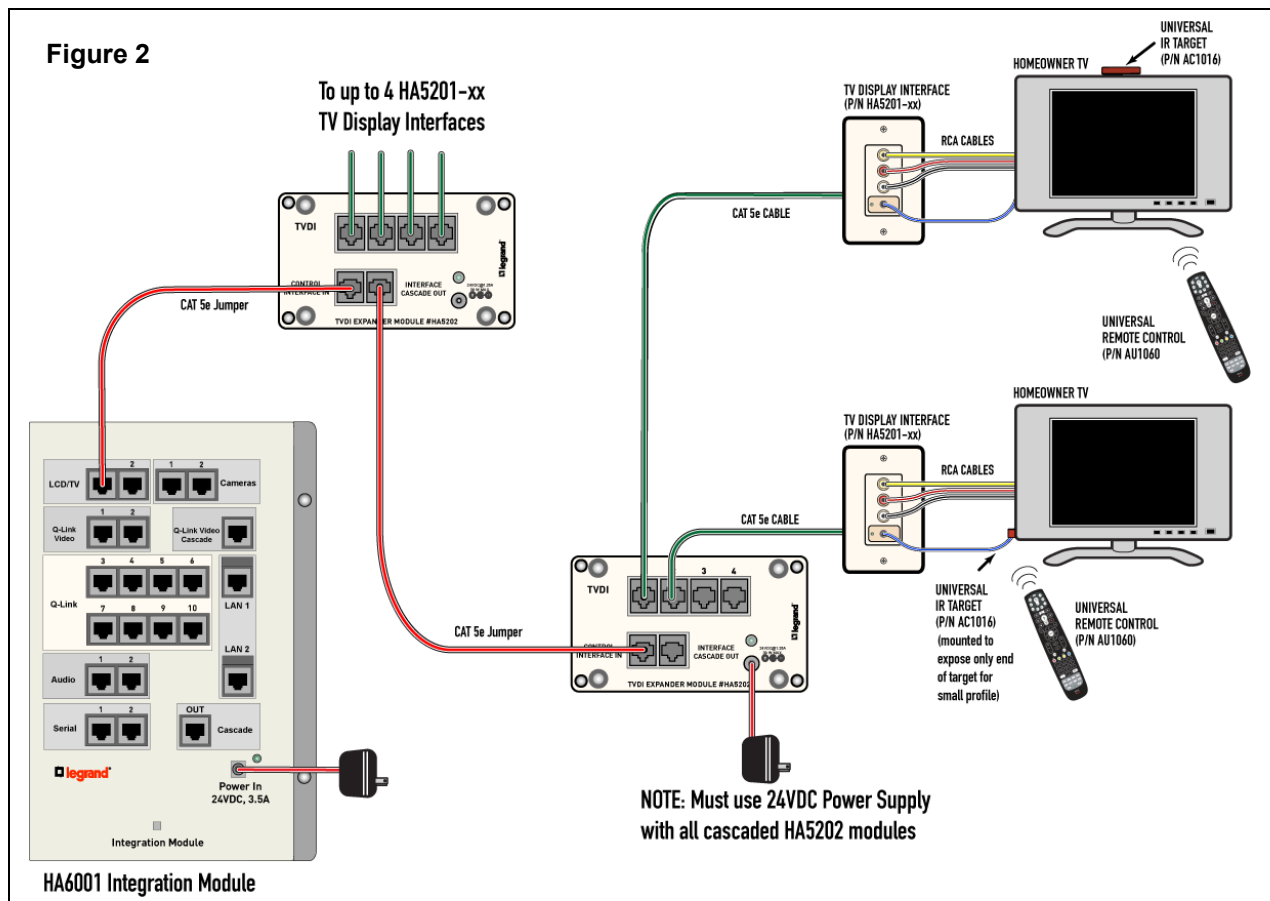
NOTE: Make sure that the 24VDC Power Supply is not connected to the HA5202 Module.

1. Install the HA5202/s in the enclosure by first attaching it to the included bracket using the four corner plungers. Then insert the bracket tabs into the slots on the left of the enclosure and use the bracket push-pin to secure the HA5202/s to the enclosure.
2. Terminate all Category 5 cables from the TV Display Interfaces with RJ-45 plugs using the T568A wiring standard, and plug them in to the TVDI RJ45 jacks labeled 1-4 on the HA5202/s.

3. Connect a Category 5 jumper from the "Control Interface In" RJ-45 jack on the first HA5202 to an LCD/TVDI RJ45 jack on the Unity Integration Module (HA6001).
4. If being cascaded, connect a Category 5 jumper from the "Interface Cascade Out" RJ45 jack on the first HA5202 to the "Control Interface In" RJ45 jack on the cascaded HA5202.
5. For any cascaded HA5202 modules, plug the 24VDC power supply cable into the power jack on the HA5202 module/s and plug the power supply/s into an AC outlet.

NOTE: All AC powered devices in a Unity system should be powered up at the same time (i.e. use a common power strip for the individual AC adapters).

6. Verify system functionality.



Federal Communications Commission Statement

This device complies with Part 15 of the FCC Rules. Operation is subject to the following two conditions:

- This device may not cause harmful interference, and
- This device must accept any interference received, including interference that may cause undesired operation.