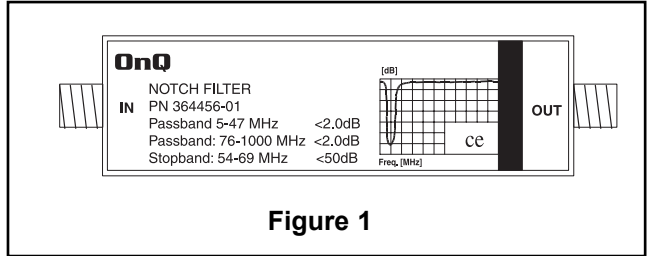


Installation/Instruction Sheet
Notch Filter, Channels 2-4
IS-0133 Rev. A

1. Introduction

The OnQ Channel 2-4 Notch Filter is used to block out channels 2 through 4. It is generally used in conjunction with low pass filters (OnQ P/N's 364456-02 & 364456-03) when a set top box (i.e. digital cable box) needs to be worked around while implementing internal video (modulators). The Notch Filter blocks channels 2 through 4, but allows channels 5 and higher to pass, including any Home Modulated signals. Because the cable box will not pass home modulated channels & outputs on Ch 3 or 4, this filter prevents the conflict of having incoming cable frequencies (channel 2-4) interfere with the set top boxes channel 3 or 4 output, thus causing distortion or no visible picture at all.



2. Description

The OnQ Notch Filter is an in-line type filter. The filter has an "F" style port for the cable in and cable out. The filter has a rugged die cast case, which is solder sealed for shielding. The case measures 4 1/4" long by 1" wide by 5/8" deep.

3. Installation

- A. Determine where the filter is to be used. Refer to figure 2 for the correct insertion point and connection.
- B. Use quality 75 ohm jumper cables to connect the filter into the application. If you are making the jumper cables, use RG6 cable and appropriate connectors and tools.

Note: *Most video problems are associated with cable connections. Proper care must be taken in preparing and connecting the cables.*

Note: OnQ offers two (2) low pass filters, P/N 364456-02 (5-560MHz) and 364456-03 (5-750MHz). Please refer to the OnQ catalog, website (www.onqtech.com) or technical support for more information pertaining to these filters or for installation or application information/notes.

OnQ Technical Support can be reached by phone at 1-800-321-2343, option 2 or by email at tech.support@onqtech.com.

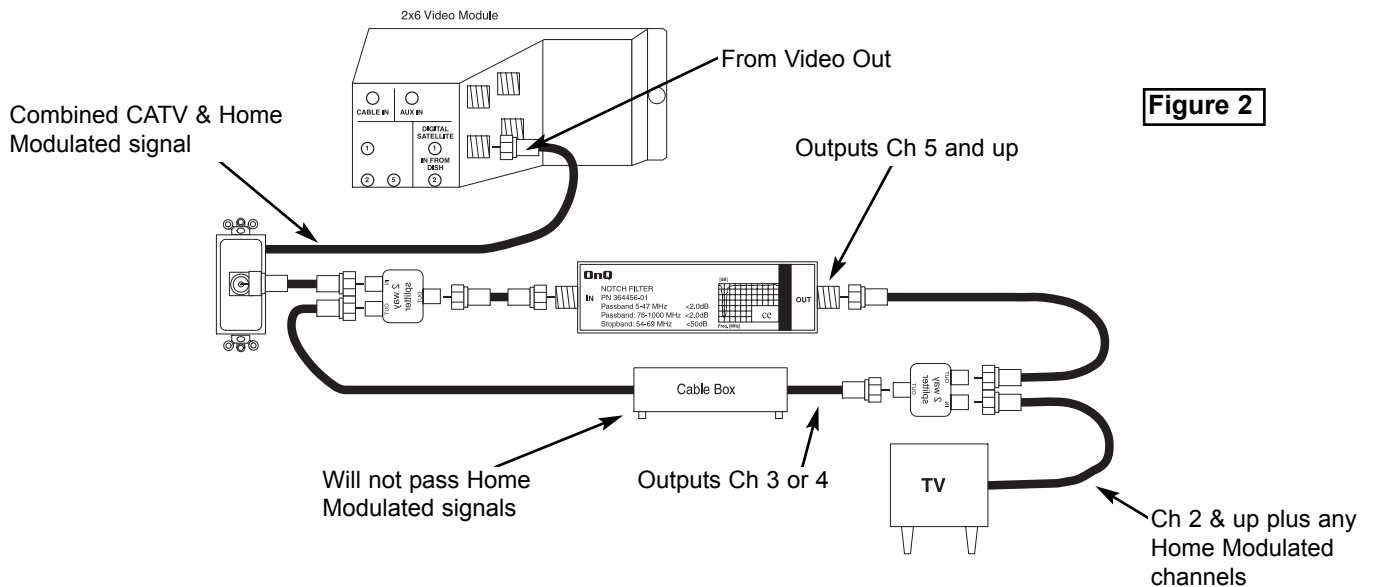


Figure 2