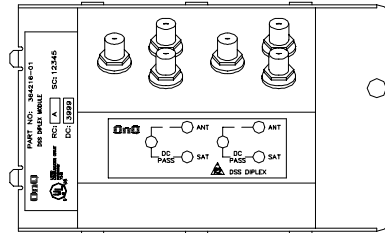




OnQ Technologies, Inc.
P.O. Box 60907
Harrisburg, PA 17106
Phone: 800-321-2343

Instruction/Installation Sheet
OnQ DSS Diplex Modules
IS-0064
Rev. A



364226-01
Figure 1

1. Introduction:

The OnQ DSS Diplex Module provides management and distribution of RF (Cable TV)/off air and DSS Signals on coaxial cable throughout the house. When combined with standard OnQ video modules, DSS Diplex allows for the combining of DSS and CATV/off-air video signals at the service center. The signals are then split and distributed at the TV/Receiver using a Diplex Filter. The modules can be mounted in OnQ Raised-rail or Flat-rail Service Center Enclosures.

2. Description:

The DSS Diplex Modules have vertical access, F-style fittings for connecting incoming and outgoing cables. Two RG6 cable assemblies are included for connecting to OnQ video modules.

3. Installation:

A. Mounting in enclosure

- 1) Align tabs on module with slots on rail of enclosure.
- 2) Insert tabs by angling module away from the back of the enclosure and sliding forward.
- 3) Rotate the module and insert fasteners on module into corresponding holes on rail of enclosure. (Plunger must be in the pulled out position for fastener to engage hole.)
- 4) Push plunger in to lock module in place. Pull on module to assure module is locked properly in place.

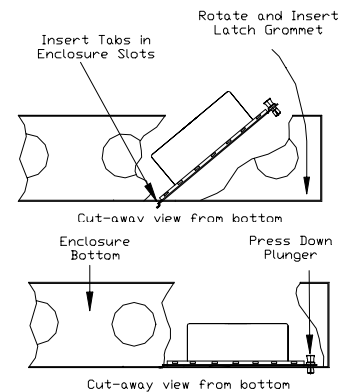


Figure 1

Note: Do not bend cable in less than a 2-inch radius.

B. Service Connection – To OnQ Video Module (See Figure2)

- 1) Connect RG6 cable assemblies. (Included)
- 2) Identify “ANT” fittings and route to “output” on the video module.
- 3) Finger-tighten.

C. Outlet Drop Connections

- 1) Identify DSS/RF/off-air signal cables from the outlets and route to appropriate fittings.
- 2) Attach an RG-6 “F” connector to the cable. Connect to fitting on module and finger-tighten.

D. Service Connection – CEBus Operation (See Figure 2)

- 1) Connect RG-6 cable assemblies. (Included)
- 2) Identify incoming service cable and route to combine on the module.
- 3) Attach an RG-6 F-connector to the cable. Connect to fitting on module and finger-tighten.

Note: Cables should all be marked to provide identification. Record room locations for cables to the outlets.



OnQ Technologies, Inc.
P.O. Box 60907
Harrisburg, PA 17106
Phone: 800-321-2343

Instruction/Installation Sheet
OnQ DSS Diplex Modules
IS-0064
Rev. A

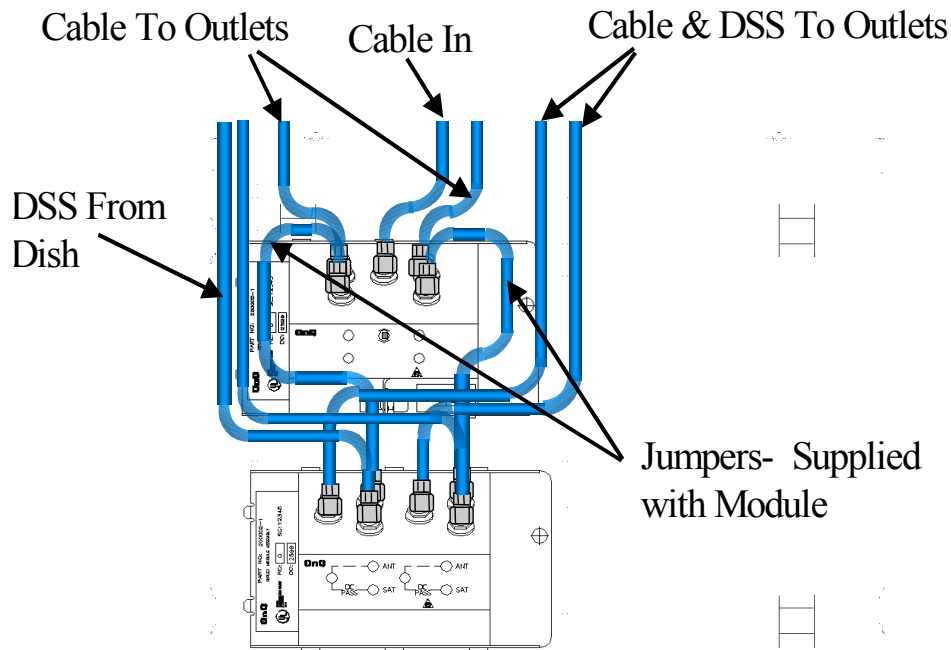


Figure 2

Disclaimer

OnQ recommends using RG-6 quad shielded solid copper cable in lieu of copper clad steel, especially with applications that involve distributing DC voltages. Solid copper offers less DC resistance than copper clad steel and thus less of a voltage drop. Many manufactures of 3rd party devices such as satellite receivers' state NOT to use copper clad steel for this reason. Use of copper clad steel could result in voltage drop significant enough to interfere with a DC voltage dependant device's operation. As in any RF or RF/DC application, try to avoid excessively long runs.