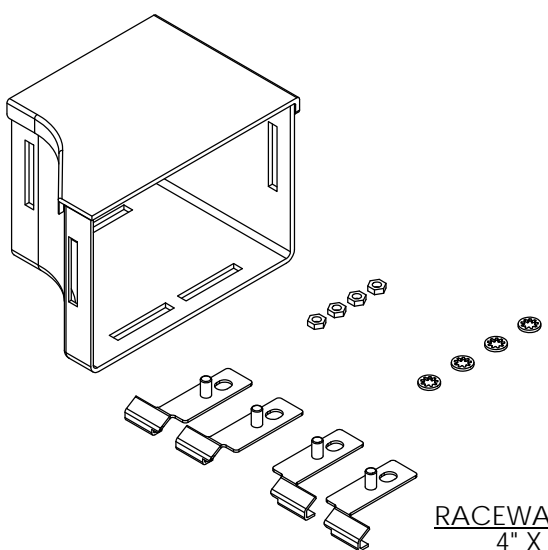
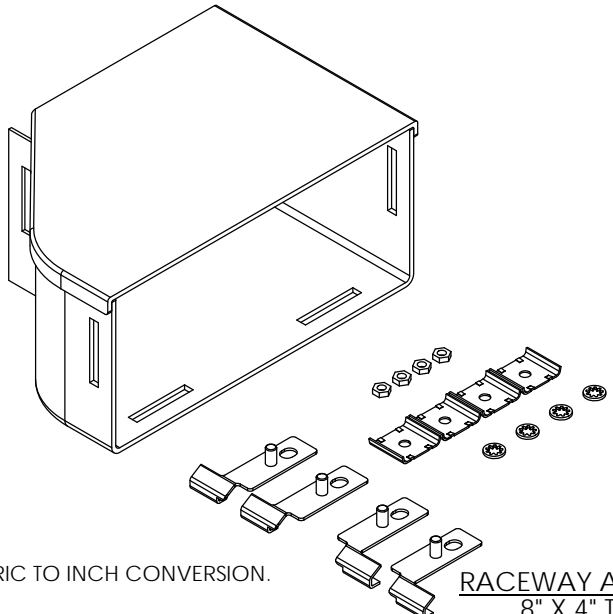


- KIT CONTAINS:
 (1) 4" X 4" TO 4" X 6"
 RACEWAY RH REDUCER
 (4) ADAPTER BRACKETS
 WITH PRESS IN STUDS
 (4) HEX HD NUTS
 (4) SHAKE PROOF WASHERS



RACEWAY ADAPTER RH KIT
 4" X 4" TO ADC 6"

- KIT CONTAINS:
 (1) 8" X 4" TO 4" X 6"
 RACEWAY RH REDUCER
 (4) ADAPTER BRACKETS
 WITH PRESS IN STUDS
 (4) CLAMPING PLATES
 (4) HEX HD NUTS
 (4) SHAKE PROOF WASHERS



RACEWAY ADAPTER RH KIT
 8" X 4" TO ADC 6"

- NOTES:
 • TWO PLACE DECIMAL DIMENSIONS ARE APPROX. DUE TO METRIC TO INCH CONVERSION.
 • FIRE RETARDENT PLASTIC, HALOGEN FREE, UL-94VO RATED.
 • RACEWAY JOINERS SOLD SEPARATELY.

SIZE IN/[MM]	ORTRONICS P/N	COLOR
4" X 4" [100 X 100] RH ADAPTER KIT TO ADC 6"	MMFAKR4X4ADC6-Y	YELLOW
4" X 8" [100 X 220] RH ADAPTER KIT TO ADC 6"	MMFAKR8X4ADC6-Y	YELLOW

NOTE: REPLACE "Y" FOR YELLOW WITH "B" FOR BLACK OR "O" FOR ORANGE. MINIMUM QUANTITIES REQUIRED. CONTACT YOUR CUSTOMER SERVICE REPRESENTATIVE (CSR).

<p>*** NOTICE ***</p> <p>THIS DOCUMENT CONTAINS CONFIDENTIAL AND/OR PROPRIETARY INFORMATION INTENDED FOR USE ONLY BY THE INDIVIDUAL(S) PROVIDED. NEITHER THIS DOCUMENT, NOR ANY INFORMATION CONTAINED HEREIN, MAY BE COPIED, DISTRIBUTED, DISCLOSED TO ANY THIRD PARTY OR USED IN ANY MANNER OTHER THAN FOR WHICH IT HAS BEEN PROVIDED, WITHOUT THE PRIOR WRITTEN CONSENT OF ORTRONICS, INC. MANUFACTURING RELEASE, PRODUCT SPECIFICATIONS AND STANDARDS ARE SUBJECT TO CHANGE WITHOUT NOTICE.</p>			<p>125 EUGENE O'NEILL DRIVE NEW LONDON, CT 06320 TEL: 860-445-3800 FAX: 860-405-2990 WWW.ORTRONICS.COM</p>																														
	<p>TITLE</p> <p>MM FIBER RACEWAY, ADAPTER KIT RH 4" OUTPUT TO ADC 6"</p>																																
	<table border="1"> <thead> <tr> <th></th> <th>NAME</th> <th>DATE</th> <th>SIZE</th> <th>CAD FILE</th> <th>DWG NO</th> <th>REV</th> </tr> </thead> <tbody> <tr> <td>DWN</td> <td>J.QUINN</td> <td>04/25/12</td> <td>A</td> <td>MMFAKRXXxYYADC6ZC</td> <td>OR-MMFAKRXXxYYADC6-Z</td> <td>00</td> </tr> <tr> <td>CHK</td> <td></td> <td></td> <td></td> <td></td> <td></td> <td></td> </tr> <tr> <td>APPR</td> <td></td> <td></td> <td></td> <td></td> <td></td> <td></td> </tr> </tbody> </table>		NAME	DATE	SIZE	CAD FILE	DWG NO	REV	DWN	J.QUINN	04/25/12	A	MMFAKRXXxYYADC6ZC	OR-MMFAKRXXxYYADC6-Z	00	CHK							APPR							SCALE	1:1	WEIGHT	SHEET
	NAME	DATE	SIZE	CAD FILE	DWG NO	REV																											
DWN	J.QUINN	04/25/12	A	MMFAKRXXxYYADC6ZC	OR-MMFAKRXXxYYADC6-Z	00																											
CHK																																	
APPR																																	