

- NOTES: UNLESS OTHERWISE SPECIFIED
1. THE PACKAGED ASSEMBLY CONSISTS OF QTY "ZZ" OF CLARITY "OR-MC5EXX-YY" PATCH CORDS COUPLED END-TO-END, USING LINK SHOWN.
  2. THE FIRST CABLE ASSEMBLY SHALL BE SECURED TO INSIDE BOX SURFACE, AT LOCATION SHOWN. TIE PROVIDED MAY BE RETAINED FOR FUTURE USE.
  3. ALL DIMENSIONS ARE IN INCHES.

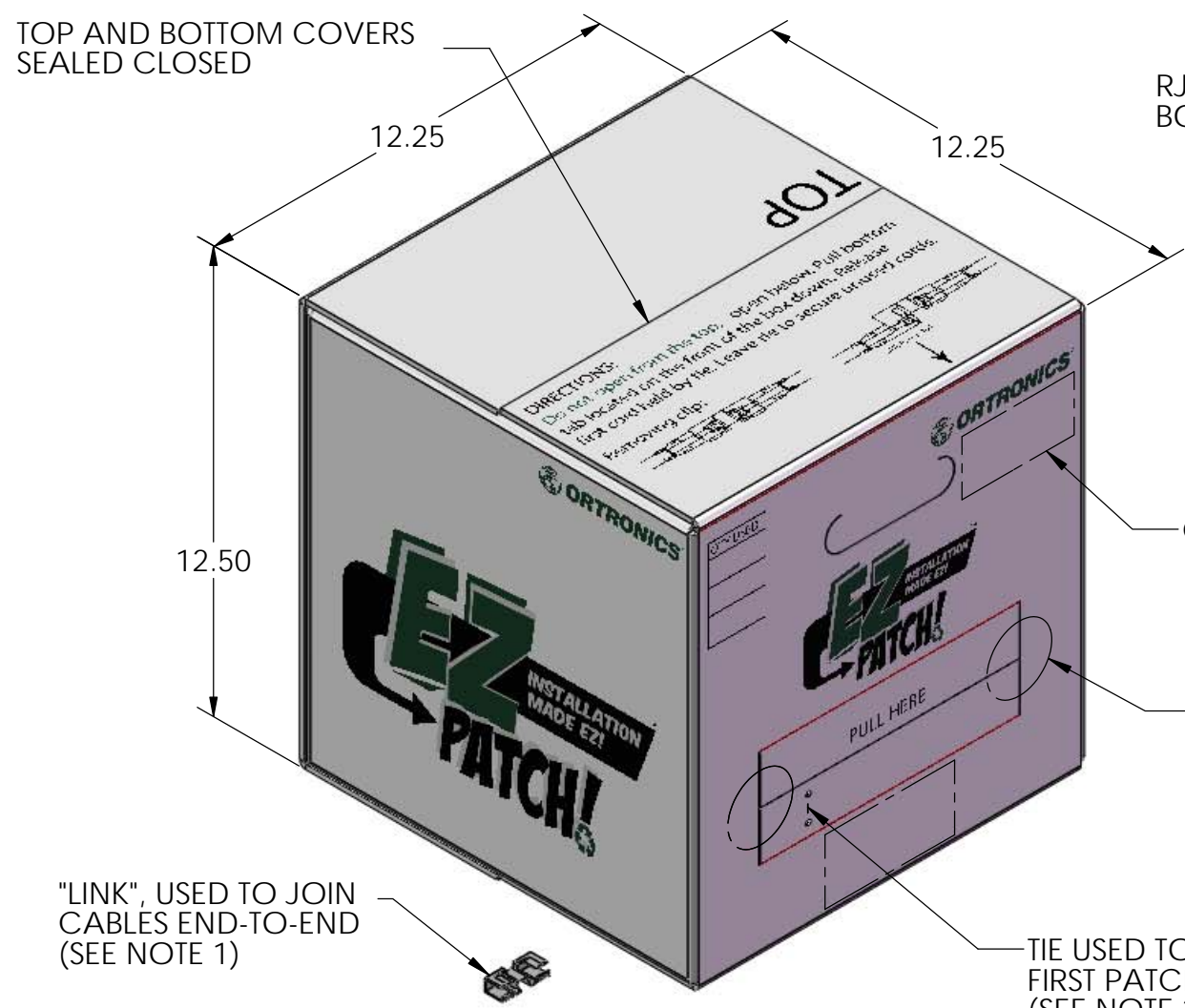
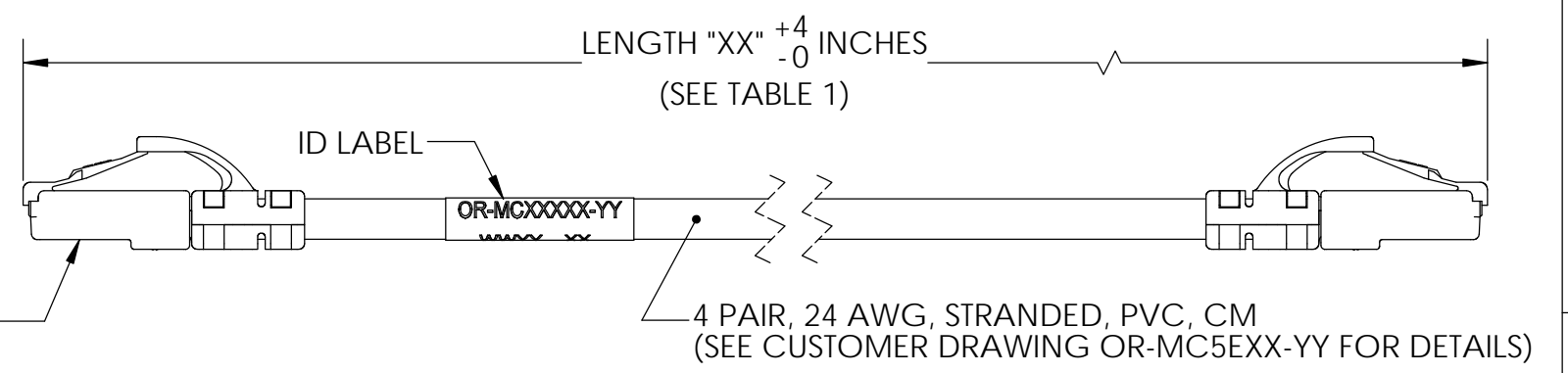
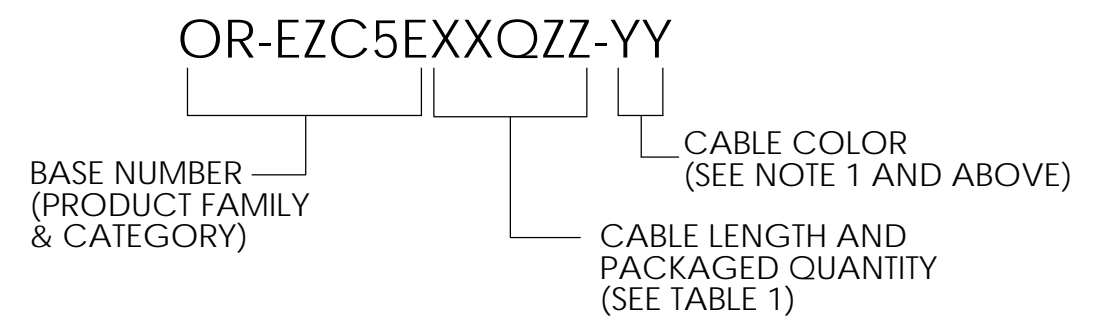


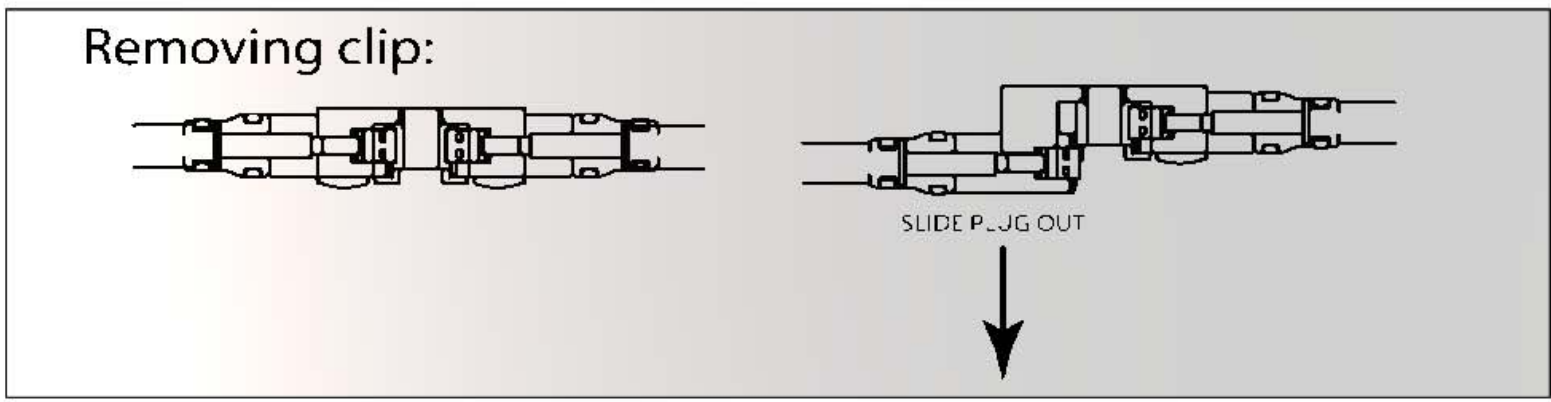
TABLE 1

LENGTH "XX"	QTY "ZZ"
"03" = 3 FT	50
"05" = 5 FT	50
"07" = 7 FT	50
"09" = 9 FT	40
"10" = 10 FT	40
"15" = 15 FT	25

STANDARD CONFIGURATIONS SHOWN TO ORDER STANDARD COLORS, REPLACE "YY" SUFFIX:  
 -09 = WHITE, -08 = GRAY, -06 = BLUE, -05 = GREEN, -04 = YELLOW,  
 EZC5E10Q40-YY (10 FT) AND EZC5E15Q25-YY (15 FT) ARE ONLY AVAILABLE IN -06 = BLUE, -05 = GREEN, AND -04 = YELLOW.



PART NUMBER LEGEND



<p>*** NOTICE ***          THIS DOCUMENT CONTAINS CONFIDENTIAL AND/OR PROPRIETARY INFORMATION INTENDED FOR USE ONLY BY THE INDIVIDUAL(S) PROVIDED. NEITHER THIS DOCUMENT, NOR ANY INFORMATION CONTAINED HEREIN, MAY BE COPIED, DISTRIBUTED, DISCLOSED TO ANY THIRD PARTY OR USED IN ANY MANNER OTHER THAN FOR WHICH IT HAS BEEN PROVIDED, WITHOUT THE PRIOR WRITTEN CONSENT OF ORTRONICS, INC. MANUFACTURING RELEASE. PRODUCT SPECIFICATIONS AND STANDARDS ARE SUBJECT TO CHANGE WITHOUT NOTICE.</p>					<p>125 EUGENE O'NEILL DRIVE          NEW LONDON, CT 06320          TEL: 860-445-3800          FAX: 860-405-2990          WWW.ORTRONICS.COM</p>	
TITLE			EZ PATCH PAYOUT BOX ASSY, WITH "ZZ" CLARITY MC5E CATEGORY 5E PATCH CORDS			
NAME	DATE	SIZE	CAD FILE	DWG NO	REV	
DWN RYNASKI	2/3/12	B	EZC5EXXQZZYYC	OR-EZC5EXXQZZ-YY	07	
CHK C.A.COLLELO	02/09/12	SCALE	1:4	WEIGHT	SHEET	1 OF 1
APPR W. DIETZ	02/09/12					