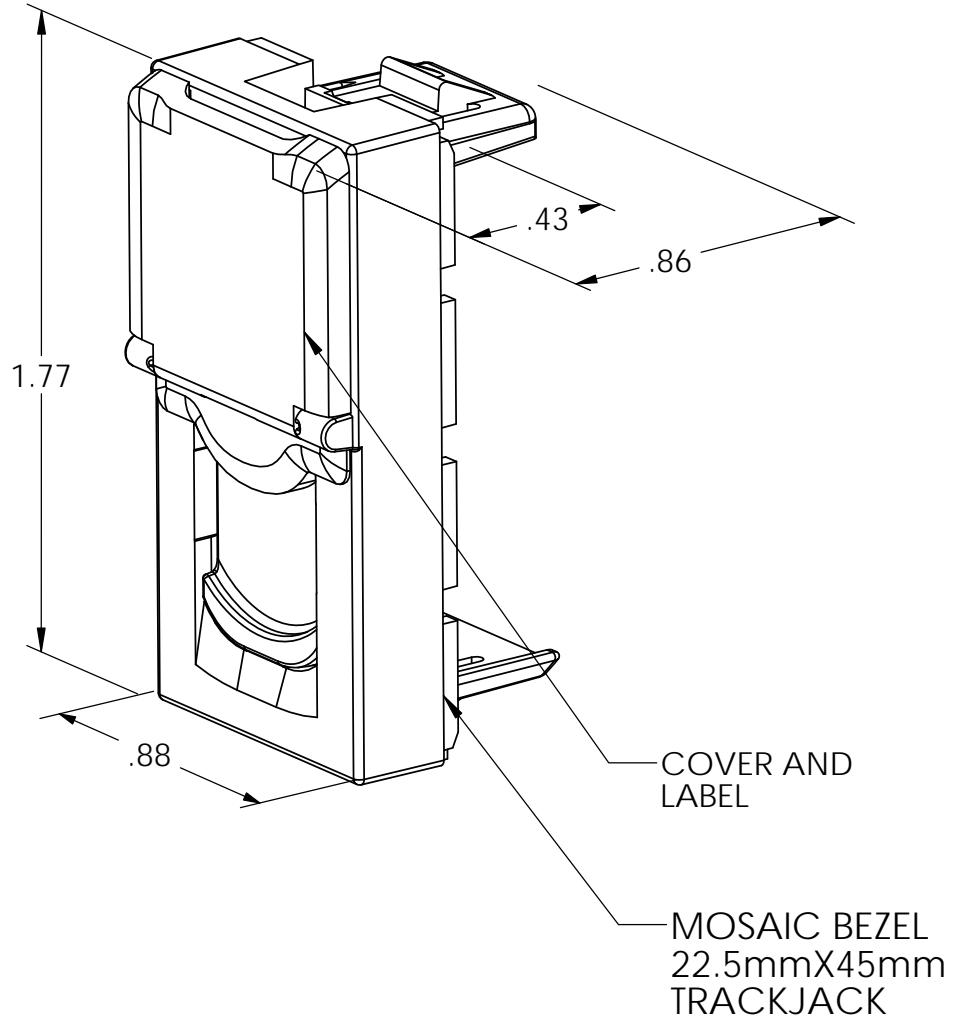


NOTES:

1. ALL DIMENSIONS ARE IN INCHES.



<p>*** NOTICE *** THIS DOCUMENT CONTAINS CONFIDENTIAL AND/OR PROPRIETARY INFORMATION INTENDED FOR USE ONLY BY THE INDIVIDUAL(S) PROVIDED. NEITHER THIS DOCUMENT, NOR ANY INFORMATION CONTAINED HEREIN, MAY BE COPIED, DISTRIBUTED, DISCLOSED TO ANY THIRD PARTY OR USED IN ANY MANNER OTHER THAN FOR WHICH IT HAS BEEN PROVIDED, WITHOUT THE PRIOR WRITTEN CONSENT OF ORTRONICS, INC.</p>					<p>125 EUGENE O'NEILL DRIVE NEW LONDON, CT 06320 TEL: 860-445-3800 FAX: 860-405-2990 WWW.ORTRONICS.COM</p>	
<p>TITLE</p> <p>BEZEL, TRACKJACK, MOSAIC, 1 PORT, 22.5 X 45, 10/PKG, LEGRAND WHITE</p>						
	NAME	DATE	SIZE	CAD FILE	DWG NO	REV
DWN	RJG	2/13/2013	A	FPK1TJC	OR-FPK1TJ	00
CHK			SCALE 2:1		SHEET 1 OF 1	
APPR						