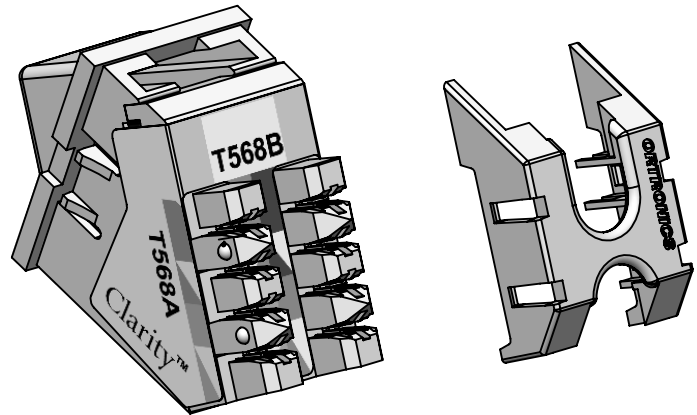


DIMENSIONS IN INCHES



PART NO.	COLOR
TJ645	FOG WHITE
TJ645-00	BLACK
TJ645-13	ELEC. IVORY
TJ645-36	MED. BLUE
TJ645-42	MED. RED
TJ645-43	DK. ORANGE
TJ645-44	DK. YELLOW
TJ645-45	DK. GREEN
TJ645-68	WIREMOLD LT. GREY
TJ645-78	WIREMOLD DK. GREY
TJ645-88	CLOUD WHITE
TJ645-99	WIREMOLD IVORY

NOTE: IF \* NEXT TO PART NUMBER, MINIMUM QUANTITIES REQUIRED.  
CONTACT YOUR CUSTOMER SERVICE REPRESENTATIVE (CSR)

<p>*** NOTICE *** THIS DOCUMENT CONTAINS CONFIDENTIAL AND/OR PROPRIETARY INFORMATION INTENDED FOR USE ONLY BY THE INDIVIDUAL(S) PROVIDED. NEITHER THIS DOCUMENT, NOR ANY INFORMATION CONTAINED HEREIN, MAY BE COPIED, DISTRIBUTED, DISCLOSED TO ANY THIRD PARTY OR USED IN ANY MANNER OTHER THAN FOR WHICH IT HAS BEEN PROVIDED, WITHOUT THE PRIOR WRITTEN CONSENT OF ORTRONICS, INC. MANUFACTURING RELEASE, PRODUCT SPECIFICATIONS AND STANDARDS ARE SUBJECT TO CHANGE WITHOUT NOTICE.</p>					<p>125 EUGENE O'NEILL DRIVE NEW LONDON, CT 06320 TEL: 860-445-3800 FAX: 860-405-2990 WWW.ORTRONICS.COM</p>	
TITLE			TRACJACK, 45 DEG, CALRITY CAT 6, 8P8C, 568A/B			
NAME	DATE	SIZE	CAD FILE	DWG NO	REV	
DWN HATHAWAY	02/14/03	A	TJ645XXC	OR-TJ645-XX	06	
CHK S. LEVESQUE	09/02/05	SCALE	WEIGHT	SHEET	1 OF 1	
APPR M. MARTICH	09/02/05	NONE				