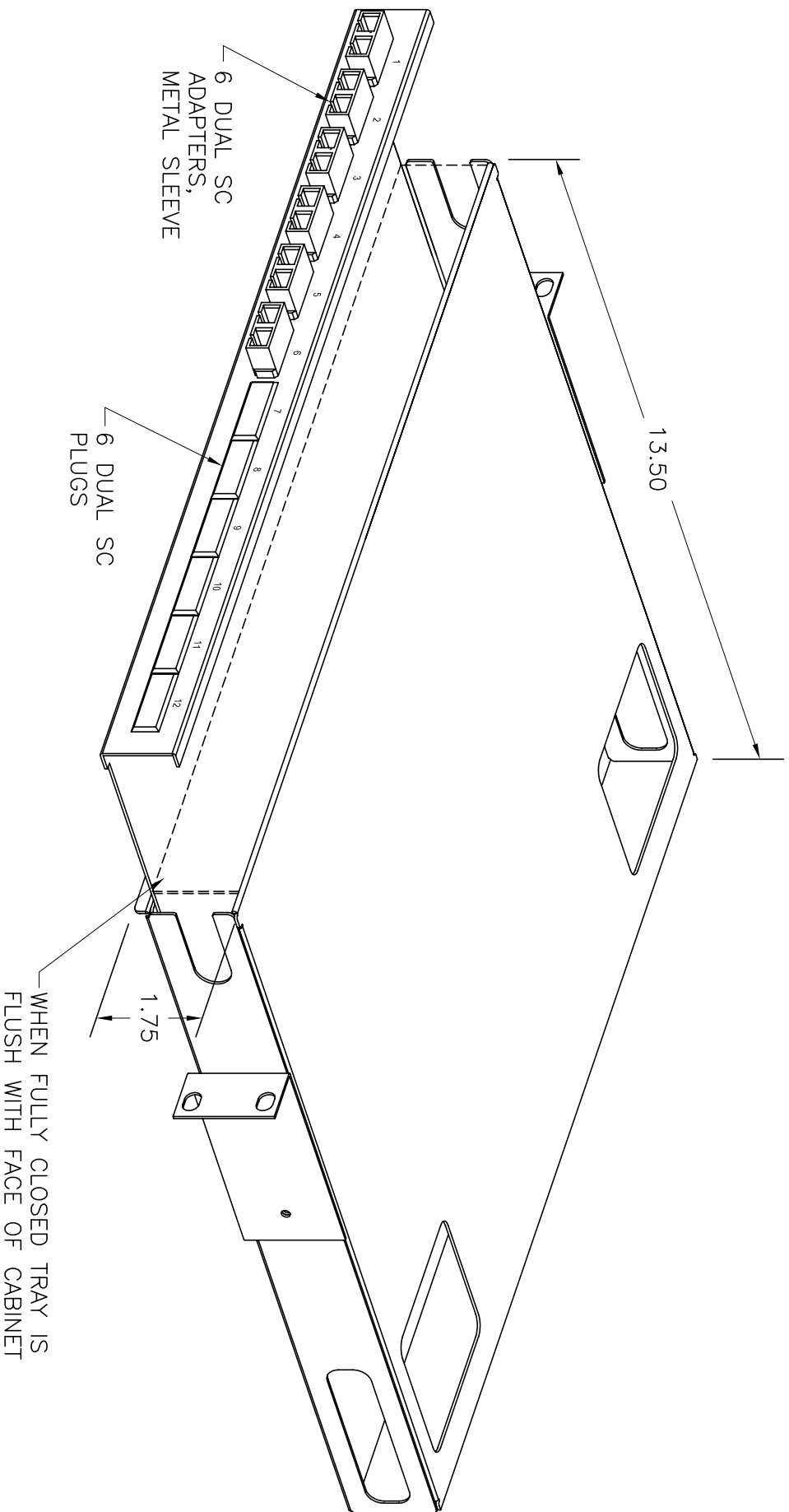


- NOTES:
1. DIMENSIONS ARE IN INCHES.
 2. DUST CAPS PROVIDED INSTALLED.



*** NOTICE ***
 THIS DOCUMENT CONTAINS CONFIDENTIAL AND/OR PROPRIETARY INFORMATION. INTENDED FOR USE ONLY BY THE INDIVIDUAL(S) SPECIFIED HEREIN AND ONLY FOR THE PURPOSE(S) PROVIDED. NEITHER THIS DOCUMENT, NOR ANY INFORMATION CONTAINED HEREIN, MAY BE COPIED, DISTRIBUTED, DISCLOSED TO ANY THIRD PARTY OR USED IN ANY MANNER OTHER THAN FOR WHICH IT HAS BEEN PROVIDED, WITHOUT THE PRIOR WRITTEN CONSENT OF ORTRONICS, INC.

		DWN BY:	DATE
		WATROUS	12/02/96
NEW LONDON, CT 06320 (860) 445-3800		CHK BY:	
		A. MURANO	07/24/06
APP BY:		M. MARTICH	07/24/06

TITLE			
RACK MOUNT, 6 DUPLEX SC, METAL, LOADED, MM, PREPUNCHED, BEIGE			
SIZE	CAD FILE	PART NUMBER	REV
A	625MMC12PD1C	OR-625MMC-12PD1	05
SCALE	REL DATE	SHEET	
NONE	7/24/06	1 OF 1	