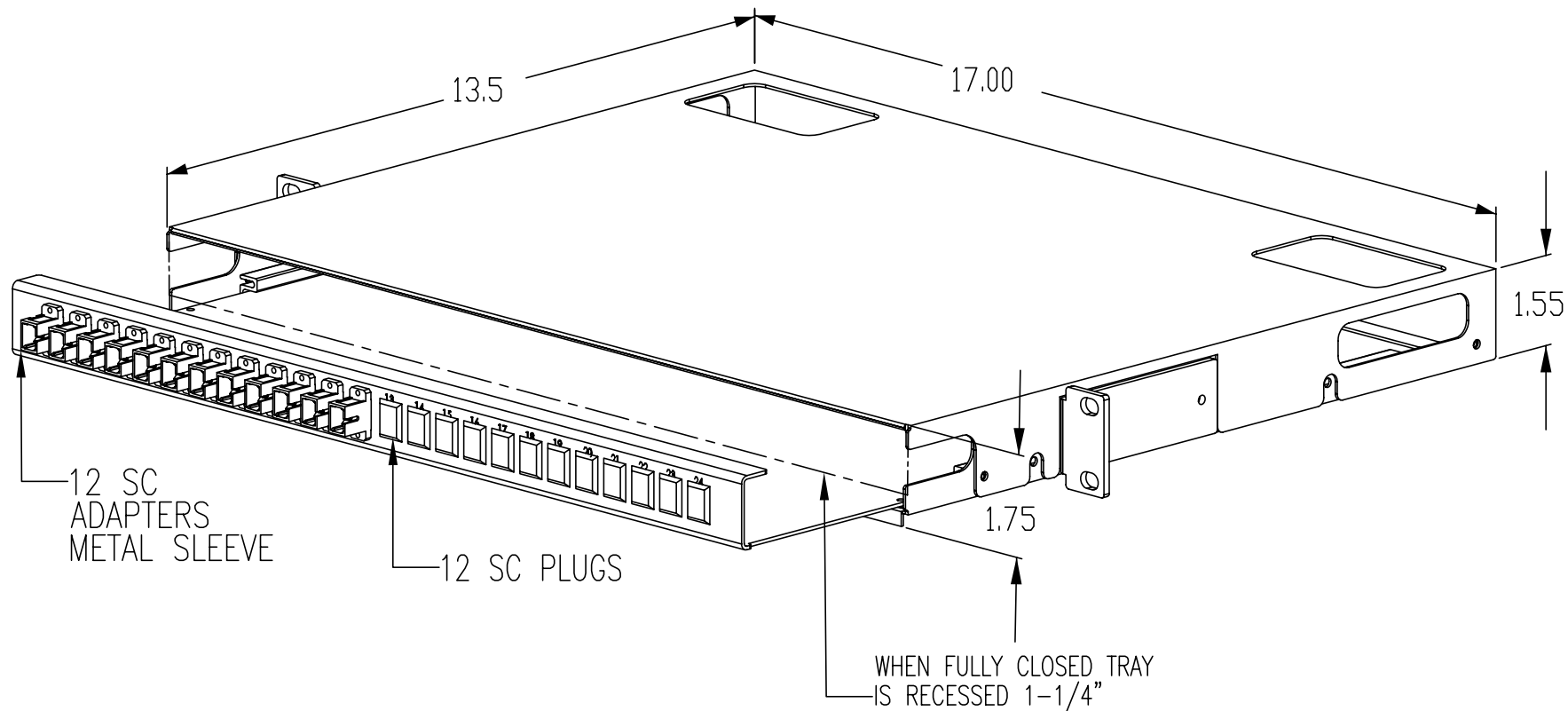



1. ALL DIMENSIONS ARE IN INCHES
2. ADAPTER DUST CAPS PROVIDED INSTALLED (NOT SHOWN)



<p>*** NOTICE ***</p> <p>THIS DOCUMENT CONTAINS CONFIDENTIAL AND/OR PROPRIETARY INFORMATION INTENDED FOR USE ONLY BY THE INDIVIDUAL(S) SPECIFIED HEREIN AND ONLY FOR THE PURPOSE(S) PROVIDED. NEITHER THIS DOCUMENT, NOR ANY INFORMATION CONTAINED HEREIN, MAY BE COPIED, DISTRIBUTED, DISCLOSED TO ANY THIRD PARTY OR USED IN ANY MANNER OTHER THAN FOR WHICH IT HAS BEEN PROVIDED, WITHOUT THE PRIOR WRITTEN CONSENT OF ORTRONICS, INC.</p>	 <p>NEW LONDON, CT 06320 (860) 445-3800</p>		TITLE							
			RACK MNT, PATCH, 12-SC/MTL/MM 1 RU, LOADED, RECESSED, BLACK			REV	07			
	DWN.BY:	Dboogoe	DATE	01/26/98	SIZE	A	CAD FILE	625MMC12PF1RBC	PART NUMBER	QR-625MMC-12PF1RB
	APP.BY:		SCALE	NONE	REL DATE	10/23/08	SHEET	1 OF 1		