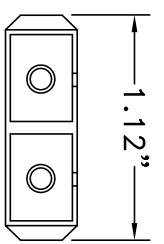
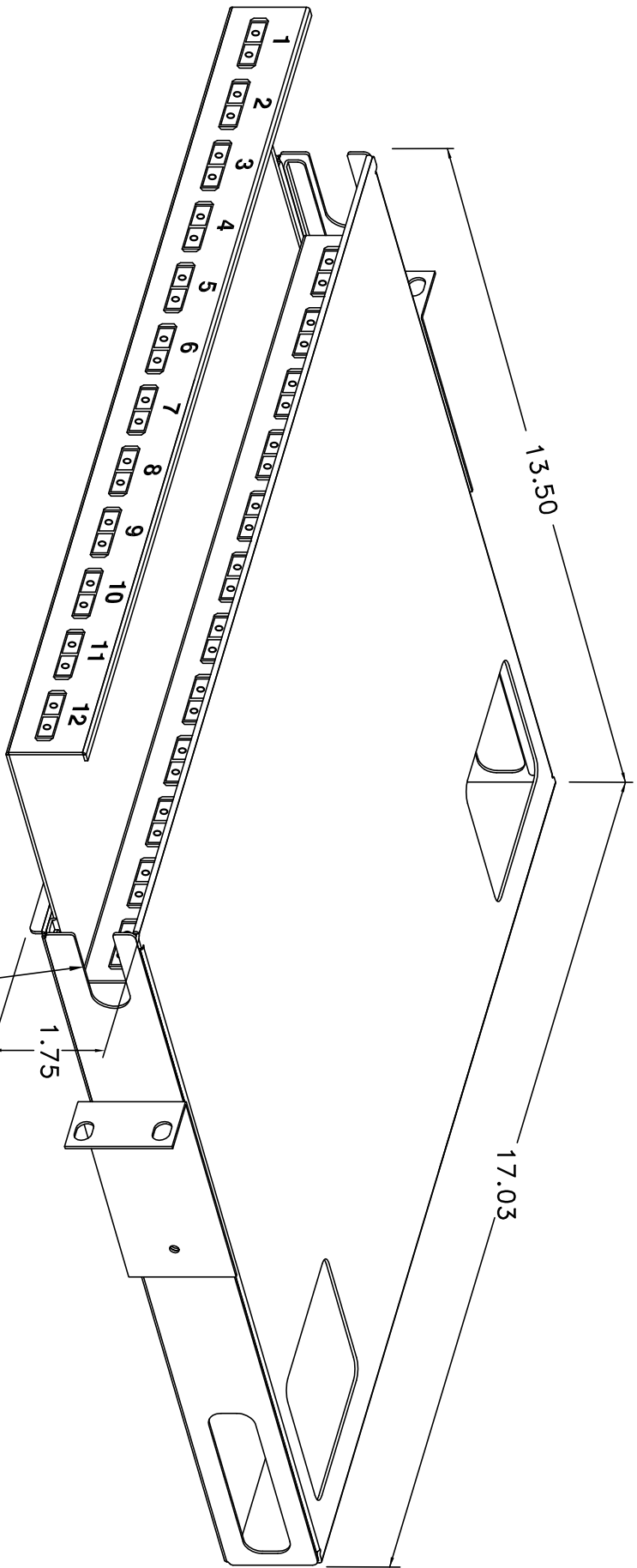


- NOTE:
1. ADAPTERS HAVE DUST CAPS PROVIDED INSTALLED.
  2. SC ADAPTERS ARE BLUE WITH CERAMIC ALIGNMENT SLEEVES.
  3. ALL DIMENSIONS ARE IN INCHES.
  4. THIS CABINET CONFIGURATION SUPPORTS 24 FIBERS.



NOTE: DUAL SC CONNECTOR WITHOUT MOUNTING TABS



WHEN FULLY CLOSED TRAY IS RECESSED 1.25 FROM FACE OF CABINET

OR-625MMC-24PE1RB LOADED WITH 12 DUAL SC ADAPTERS

\*\*\* NOTICE \*\*\*

THIS DOCUMENT CONTAINS CONFIDENTIAL AND/OR PROPRIETARY INFORMATION INTENDED FOR USE ONLY BY THE INDIVIDUAL(S) SPECIFIED HEREIN AND ONLY FOR THE PURPOSE(S) PROVIDED. NEITHER THIS DOCUMENT, NOR ANY INFORMATION CONTAINED HEREIN, MAY BE COPIED, DISTRIBUTED, DISCLOSED TO ANY THIRD PARTY OR USED IN ANY MANNER OTHER THAN FOR WHICH IT HAS BEEN PROVIDED, WITHOUT THE PRIOR WRITTEN CONSENT OF ORTRONICS, INC.

<p><b>ORTRONICS</b> NEW LONDON, CT 06320 (860) 445-3800</p>		<p>TITLE</p> <p>RACKMOUNT, 12 DUPLEX SC, ZIR, RECESSED LOADED, SM/MM, PREPUNCHED, BLACK</p>	
DWN.BY:	CR	DATE:	2/17/2014
CHK.BY:	RJG	DATE:	2/17/2014
APP.BY:	MW	DATE:	2/18/2014
SIZE	GAD FILE	PART NUMBER	REV
A	625MMC24PE1RBC	OR-625MMC-24PE1RB	02
SCALE	NONE	DATE	2/17/14
		SHEET	1 OF 1