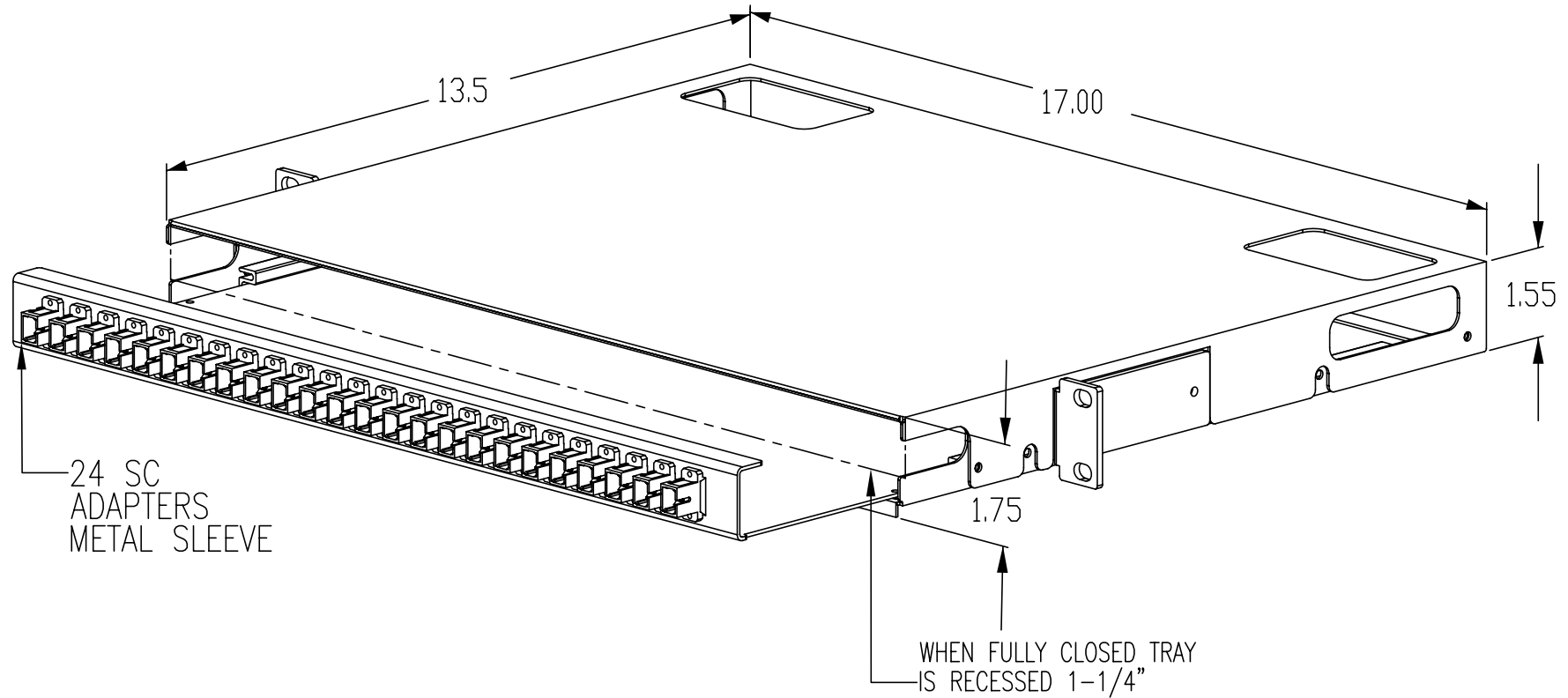



1. ALL DIMENSIONS ARE IN INCHES
2. ADAPTER DUST CAPS PROVIDED INSTALLED (NOT SHOWN)



<p>*** NOTICE ***</p> <p>THIS DOCUMENT CONTAINS CONFIDENTIAL AND/OR PROPRIETARY INFORMATION INTENDED FOR USE ONLY BY THE INDIVIDUAL(S) SPECIFIED HEREIN AND ONLY FOR THE PURPOSE(S) PROVIDED. NEITHER THIS DOCUMENT, NOR ANY INFORMATION CONTAINED HEREIN, MAY BE COPIED, DISTRIBUTED, DISCLOSED TO ANY THIRD PARTY OR USED IN ANY MANNER OTHER THAN FOR WHICH IT HAS BEEN PROVIDED, WITHOUT THE PRIOR WRITTEN CONSENT OF ORTRONICS, INC.</p>	 NEW LONDON, CT 06320 (860) 445-3800		TITLE						
			RACK MOUNT, 24/SC, METAL, RECESSED LOADED, MM, PREPUNCHED, BLACK						
	DWN.BY:	R.IVERS	DATE	05/08/97	SIZE	CAD FILE	PART NUMBER	REV	
	CHK.BY:				A	625MMC24PF1RBC	DR-625MMC-24PF1RB	08	
APP.BY:				SCALE	NONE	REL DATE	10/23/08	SHEET	1 OF 1