

- NOTES: UNLESS OTHERWISE SPECIFIED
- ALL CABLE ASSEMBLIES DESCRIBED BY THIS DOCUMENT SHALL BE IN ACCORDANCE WITH PERFORMANCE SPECIFICATION OR-71800079, AND SHALL MEET OR EXCEED 'TIER 3' SPECIFICATIONS.
 - EACH CABLE SHALL BE IDENTIFIED WITH "ORTRONICS", THE ORTRONICS PART NUMBER, A 4 DIGIT MANUFACTURE DATE CODE (WWYY=WEEK YEAR), AND LOCATION CODE (XX). LABEL PLACEMENT SHALL BE APPROXIMATELY WHERE SHOWN. "ORTRONICS" AND THE PART NUMBER MUST BE ON THE SAME LABEL AND SHALL BE ADJACENT TO THE MANUFACTURING LABEL WHEN 2 LABELS ARE USED.
 - CONNECTORS AT END "A" AND END "B" SHALL BE IDENTIFIED BY THE CHARACTER POSITIONS "YP" & "ZP" IN THE PART NUMBER; WHERE "Y" IS END "A" AND "Z" IS END "B". (SEE TABLE 2 FOR END "A"; TABLE 3 FOR END "B".) "P" IS RESERVED AS A MODIFIER FOR SECURE OPTIONS. SEE TABLE 4 FOR OPTION.
 - THE NOTATION "XL" OR "XXL" WITHIN THE PART NUMBER SHALL IDENTIFY A SPECIFIC LENGTH AND UNIT OF MEASURE ("XL" FOR "L1" & ("XXL" FOR "L2" OF THE ASSEMBLY. THE UNIT OF MEASURE (M=METERS, S='X' OR 'XX' +1/2 METER, F=FEET, H='X' OR 'XX' +1/2 FOOT) SHALL BE THE SAME FOR EACH END. THE ASSEMBLY CONFIGURATION SHALL BE DEFINED BY THE PART NUMBER LEGEND ON SHEET 1. IF A CUTBACK IS REQUIRED, ALL LEGS SHALL BE CUT BACK. LENGTH TOLERANCE FOR "L2": LESS THAN 12 METERS (40 FEET) SHALL BE +0.12/-0.00 METERS (+0.40/-0.00 FEET); GREATER THAN 12 METERS (40 FEET) SHALL BE +1.0%/-0%.
 - SEE SHEET 2 FOR STAGGERED AND UNSTAGGERED ASSEMBLY DETAILS.
 - FOR END "B" MPO STYLE CONNECTORS, FIBER 1 (BLUE FIBER) SHALL BE ON THE SIDE OF THE CONNECTOR WITH THE REFERENCE MARK (AS SHOWN).
 - FIBER-TO-CONNECTOR ASSEMBLY, AT 'END A' AND 'END B' SHALL BE PER THE CONNECTION TABLE 5.
 - THE BREAKOUT SHALL BE PROTECTED BY AN ENCAPSULATION AND THE USE OF THE HOUSINGS SPECIFIED IN THE ASSEMBLY VIEWS. THE ENCAPSULATION MATERIAL SHALL BE THERMALLY STABLE AND NON-REACTIVE WITH THE STRENGTH MEMBERS, FIBER BUFFER, FIBER COATING, AND FURCATION. ENGINEERING APPROVAL REQUIRED FOR ALL BREAKOUT JUNCTION DESIGN CHANGES.
 - DUPLEXING SUPPLIED AS ITEM 3 SHALL BE PROVIDED ASSEMBLED TO THE CONNECTOR.
 - ASSEMBLY SHALL BE PACKAGED IN ACCORDANCE WITH OR-71701277. PACKAGING AND ENVIRONMENTAL COMPLIANCE SHALL BE IN ACCORDANCE WITH OR-71700217. SEE OR-71701277 FOR PART DEFINITIONS OF PACKAGING RELATED ITEMS NOT DEFINED.
 - CONNECTORS KITS LISTED IN TABLE 2 BY SUPPLIER PART NUMBER ARE ORTRONICS LOGO'D COMPONENTS, IDENTIFIED BY THE CHARACTER "T" IN THE PART NUMBER. "NO LOGO" CONNECTORS KITS MAY BE USED IN LIEU OF "LOGO'D" ONLY IF THE "LOGO" CONNECTORS ARE NOT AVAILABLE, SUBSTITUTE THE CHARACTER "N" FOR "T" IN THE SUPPLIER PART NUMBER FOR "NO LOGO".
 - ITEM 14 REQUIRED WHEN "Y" CONNECTOR DEFINITION IS 'N'. SEE TABLE 2.

⬡ INDICATES NOTE REFERENCE

TABLE 1			
STAGGER			
"D"	BREAKOUT	DIM 'S' (METERS)	FIGURE
N	NO STAGGER	--	1
A	"A" STAGGER	.03	2
B	"B" STAGGER	TBD	2

TABLE 4	
SECURITY KEY	
"P"	SECURITY
Z	NON-KEYED

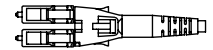

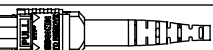
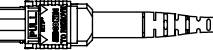
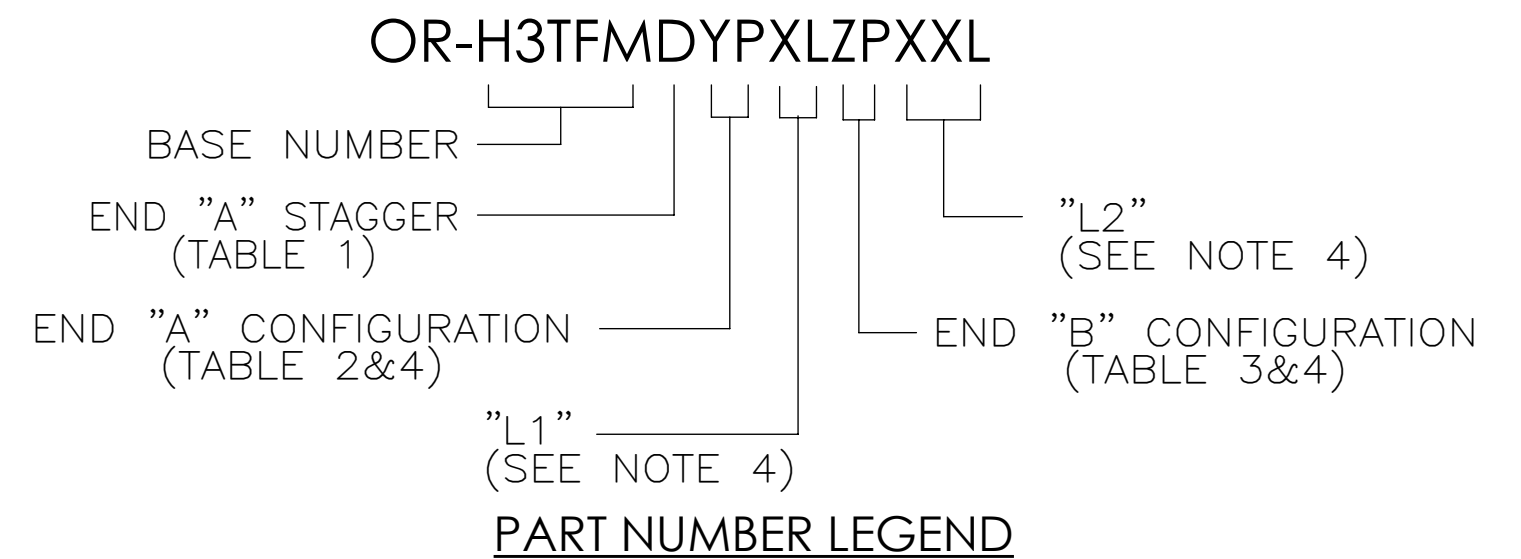
TABLE 2			
END 'A' CONNECTOR			
"Y" (CONN DEFINITION)	CONN OUTLINE	STYLE	AFOP P/N
N		RLC/PC DX	721-3J7T-A880B
A		LC (DUPLEX)	721-347T-A880B

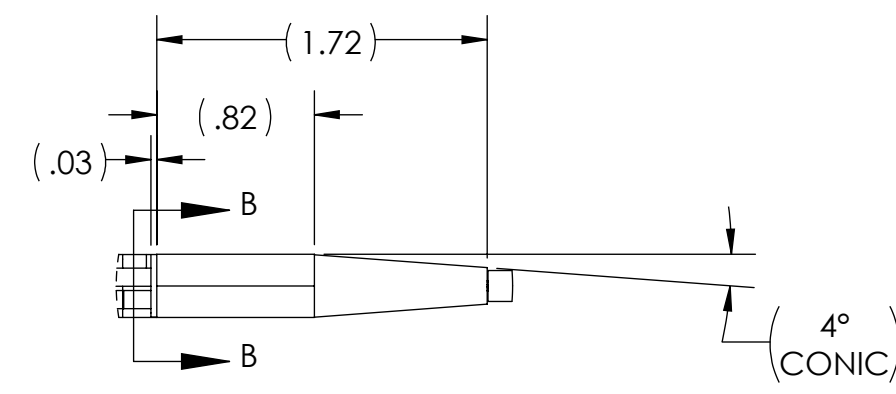
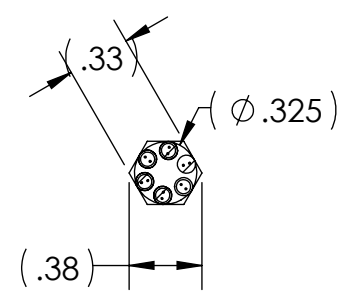
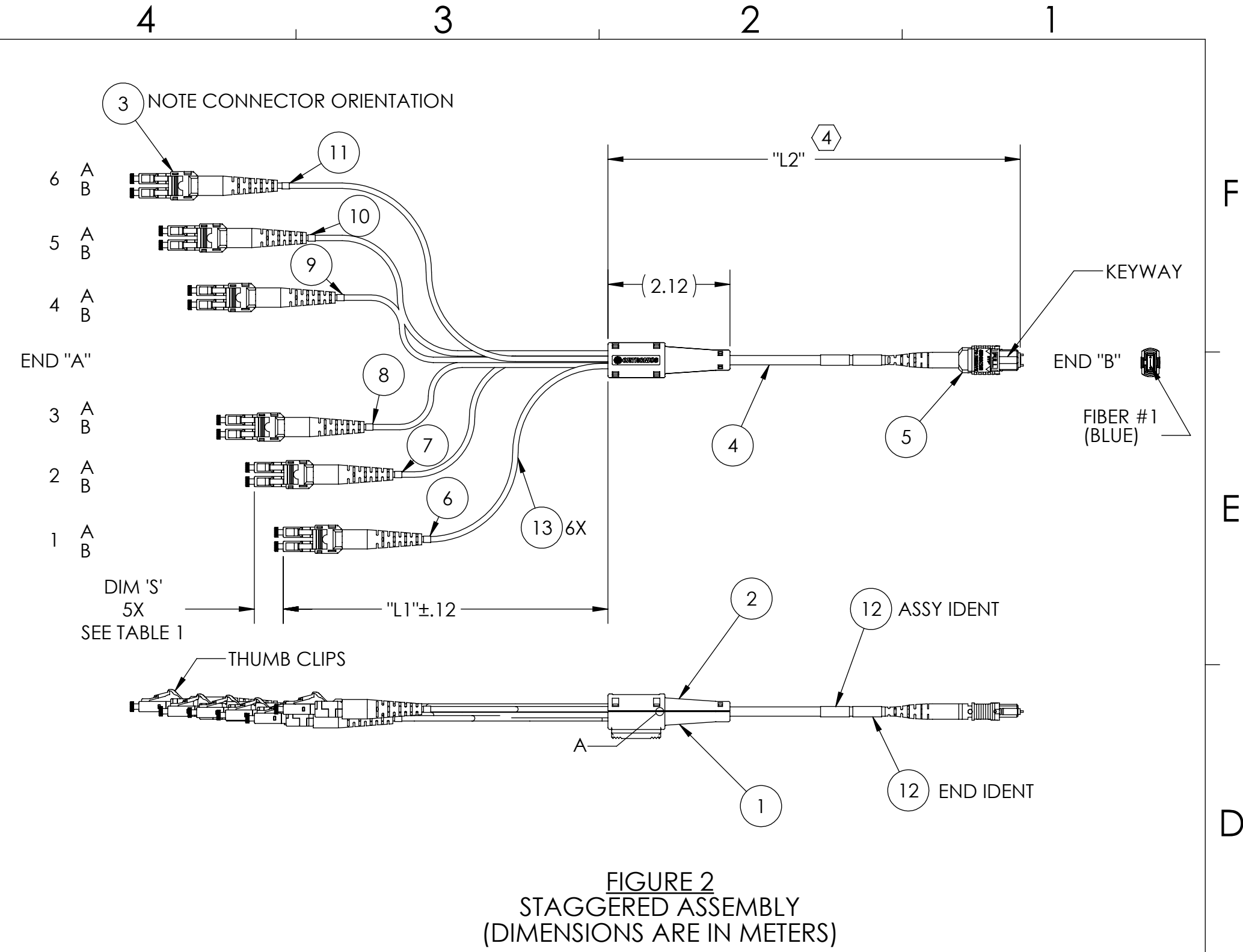
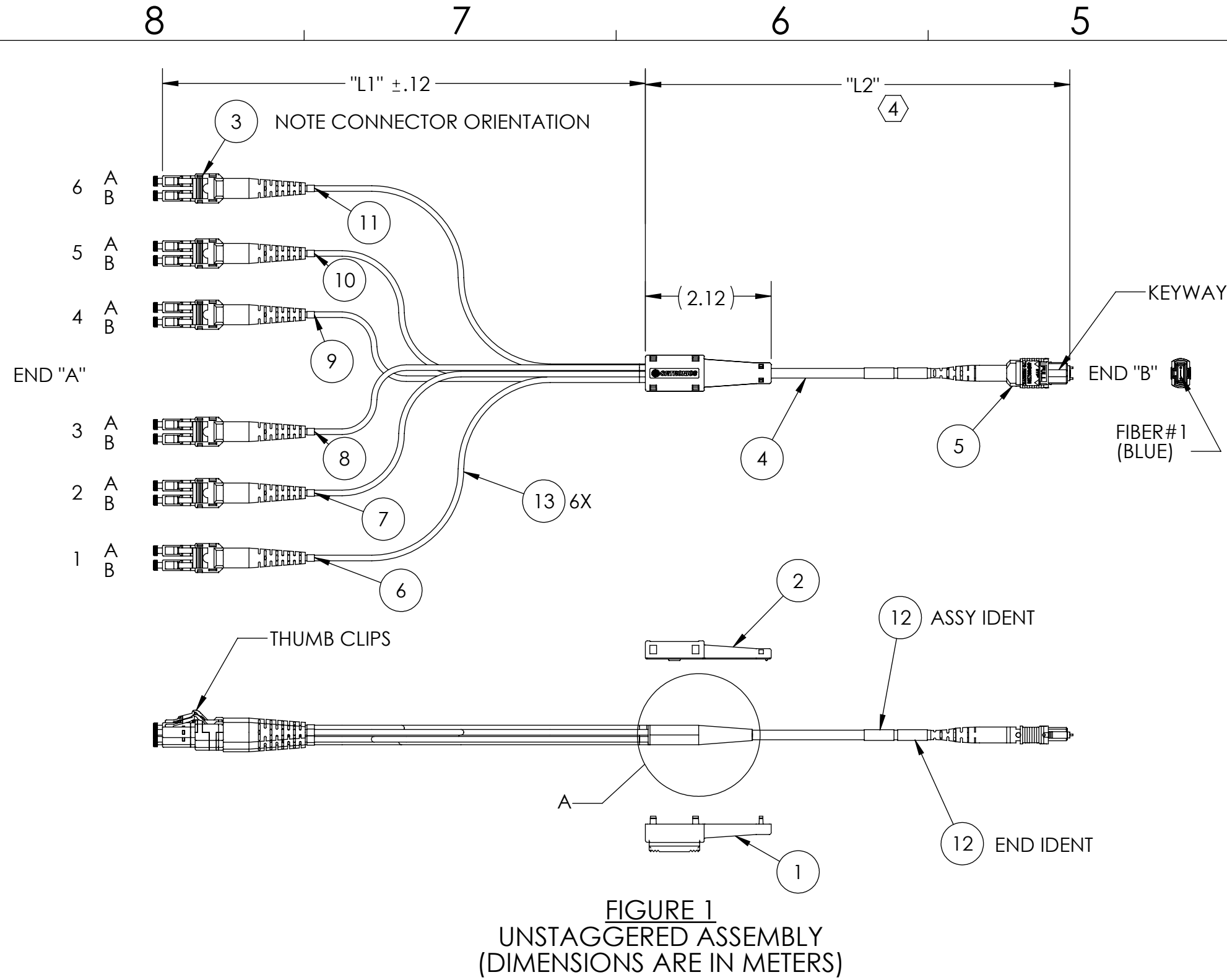
TABLE 5			
CONNECTION TABLE			
FIBER	END "A" FIBER	END "B" FIBER	WIRE MARKER
BLUE	1B	1	1
ORANGE	1A	2	
GREEN	2B	3	2
BROWN	2A	4	
SLATE	3B	5	3
WHITE	3A	6	
RED	4B	7	4
BLACK	4A	8	
YELLOW	5B	9	5
VIOLET	5A	10	
ROSE	6B	11	6
AQUA	6A	12	

TABLE 3				
END 'B' CONNECTOR				
"Z" (CONN DEFINITION)	CONN OUTLINE	STYLE	CONNECTOR KIT	FERRULE AND BOOT KIT
O		MPO-F PC	8198	9734
P		MPO-M PC	12513	

REVISIONS						
ECN#	ZONE	REV	DESCRIPTION	REV BY	CHK BY	DATE
		00	INITIAL RELEASE; WAS H3TFMYPZPXLXXL	RYNASKI	RJG	04/05/13
04476		01	TABLE 5 PIN OUT WAS A-A.	RJG	AR	6/17/13
04591		02	SEE ECN FOR CHANGES	XQZ	TERRY	05/20/14
04837		03	SEE ECN FOR CHANGES	TERENCE	VICTOR	08/10/15



14	AR	OR-71601800		INSTRUCTION SHEET, LC/DX RECONFIGURATION
13	AR			FURCATION TUBE, Ø2.4mm, W/ARAMID FIBER, PLENUM, AQUA
12	AR	OR-70400641		LABEL, 1.00 X .50, WHT, LASER
11	I	WM-6	BRADY (OR EQUIV)	WIRE MARKER "6", BLACK ON WHITE
10	I	WM-5	BRADY (OR EQUIV)	WIRE MARKER "5", BLACK ON WHITE
9	I	WM-4	BRADY (OR EQUIV)	WIRE MARKER "4", BLACK ON WHITE
8	I	WM-3	BRADY (OR EQUIV)	WIRE MARKER "3", BLACK ON WHITE
7	I	WM-2	BRADY (OR EQUIV)	WIRE MARKER "2", BLACK ON WHITE
6	I	WM-1	BRADY (OR EQUIV)	WIRE MARKER "1", BLACK ON WHITE
5	I	SEE TABLE 3	US CONEC	CONNECTOR, 12/F, MPO/MTP
4	I	OR-108MPL012F		CABLE, 12 FIBER, MICRODISTRIBUTION LOOSE TUBE INTERCONNECT, OM3 BI, 2000/500, PLENUM, AQUA JACKET
3	6	SEE TABLE 2		CONNECTOR, LC/DX
2	I	OR-40300848-00		SHELL, TOP, BREAKOUT, W/SNAP
1	I	OR-40300847-00		SHELL, BOTTOM, BREAKOUT, W/ SNAP & MOUNTING
ITEM	QUAN	PART NUMBER	SUPPLIER/VENDOR	DESCRIPTION
UNLESS OTHERWISE STATED: DIMENSIONS ARE IN INCHES		<p>*** NOTICE ***</p> <p>THIS DOCUMENT CONTAINS CONFIDENTIAL AND/OR PROPRIETARY INFORMATION INTENDED FOR USE ONLY BY THE INDIVIDUAL(S) PROVIDED.</p> <p>NEITHER THIS DOCUMENT, NOR ANY INFORMATION CONTAINED HEREIN, MAY BE COPIED, DISTRIBUTED, DISCLOSED TO ANY THIRD PARTY OR USED IN ANY MANNER OTHER THAN FOR WHICH IT HAS BEEN PROVIDED, WITHOUT THE PRIOR WRITTEN CONSENT OF ORTRONICS, INC.</p>		
TOLERANCES:		<p>FRACATIONAL: ± .010</p> <p>ANGULAR: MACH ± 1° BEND ± 1°</p> <p>ONE PLACE DECIMAL ± .020</p> <p>TWO PLACE DECIMAL ± .010</p> <p>THREE PLACE DECIMAL ± .010</p>		
MATERIAL		<p>ORTRONICS® 125 EUGENE O'NEILL DRIVE NEW LONDON, CT 06320 TEL: 860-445-3800 FAX: 860-405-2990 WWW.ORTRONICS.COM</p>		
FINISH		<p>TITLE: HARNESS ASSY, BREAKOUT, 12/F MPO-6 LC/DX, 50/125 LOMF, A-B, PLENUM, AQUA</p>		
	DWN	CR	6/18/2013	SIZE: CAD FILE H3TFMDYPXLZPXXL
	CHK	RJG	4/5/2013	DWG NO: OR-H3TFMDYPXLZPXXL
	APPR	RAM	4/5/2013	SCALE: 1:2 SHEET: 1 OF 2



		125 EUGENE O'NEILL DRIVE NEW LONDON, CT 06320 TEL: 860-445-3800 FAX: 860-405-2990 WWW.ORTRONICS.COM	
SIZE C	CAD FILE H3TFMDYPXLZPXXL	DWG NO OR-H3TFMDYPXLZPXXL	REV. 03
SCALE 1:2		SHEET 2 OF 2	