

4

3

2

1

NOTES: UNLESS OTHERWISE SPECIFIED

- THE MODULE ASSEMBLY PART NUMBER CONSISTS OF 7 ELEMENTS, AS FOLLOWS:
(CONFIGURE MODULE PART NUMBER USING THE TABLES BELOW)
 - BASE NUMBER: (HDFM)
 - PROFILE ("A"), USE TABLE 1,
 - ADAPTER TYPE ("BB"), USE TABLE 2,
 - FIBERS PER MODULE ("C"), USE TABLE 3,
 - SLEEVE MATERIAL ("D"), USE TABLE 4
 - ADAPTER COLOR ("E"), USE TABLE 5,
 - HOUSING COLOR ("XX"), SEE NOTE 2.
- THE "-XX" AT THE END OF THE PART NUMBER SHALL INDICATE THE COLOR OF THE MODULE HOUSING. COLOR SHALL BE IN ACCORDANCE WITH ORTRONICS SPECIFICATION #OR-71601388.
- DUSTCAPS OR PLUGS SHALL BE PROVIDED INSTALLED, BOTH SIDES.
- DIMENSIONS ARE IN INCHES.

D

D

C

C

B

B

A

A

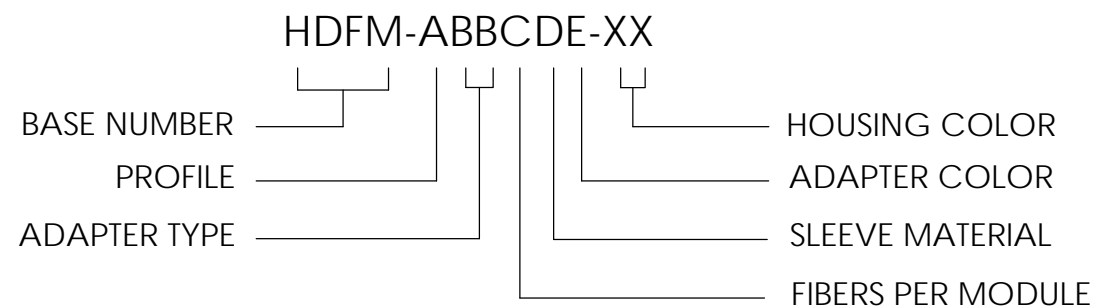
TABLE 1 (1)	
"A"	PROFILE
F	FLUSH

TABLE 4 (1)	
"D"	SLEEVE MATERIAL
C	CERAMIC
N	NONE

TABLE 2 (1)		
"BB"	ADAPTER TYPE	SEE FIGURE
LC	LC (DUPLEX)	1
SC	SC (SIMPLEX)	2
MT	MPO	3

TABLE 5 (1)	
"E"	ADAPTER COLOR
A	BLUE
B	ORANGE
C	GREEN
D	BROWN
E	SLATE
F	WHITE
G	RED
H	BLACK
I	YELLOW
J	VIOLET
K	ROSE
L	AQUA
M	BEIGE
N	MAGENTA

TABLE 3 (1)	
"C"	FIBERS PER MODULE
1	1 FIBER
2	2 FIBERS
Z	12 FIBERS



PART NUMBER LEGEND

SEE NOTE 1

<p>*** NOTICE ***</p> <p>THIS DOCUMENT CONTAINS CONFIDENTIAL AND/OR PROPRIETARY INFORMATION INTENDED FOR USE ONLY BY THE INDIVIDUAL(S) PROVIDED. NEITHER THIS DOCUMENT, NOR ANY INFORMATION CONTAINED HEREIN, MAY BE COPIED, DISTRIBUTED, DISCLOSED TO ANY THIRD PARTY OR USED IN ANY MANNER OTHER THAN FOR WHICH IT HAS BEEN PROVIDED, WITHOUT THE PRIOR WRITTEN CONSENT OF ORTRONICS, INC. MANUFACTURING RELEASE. PRODUCT SPECIFICATIONS AND STANDARDS ARE SUBJECT TO CHANGE WITHOUT NOTICE.</p>			<p>125 EUGENE O'NEILL DRIVE NEW LONDON, CT 06320 TEL: 860-445-3800 FAX: 860-405-2990 WWW.ORTRONICS.COM</p>		
TITLE			MODULE ASSY, HIGH DENSITY, FIBER		
NAME	DATE	SIZE	CAD FILE	DWG NO	REV
DWN RYNASKI	1/6/2012	B	HDFMABBCDEXXC	OR-HDFM-ABBCDE-XX	03
CHK R.MONTGELAS	1/17/2012	SCALE	WEIGHT	SHEET	
APPR A. MURANO	1/17/2012	1:1		1 OF 2	

4

3

2

1

D

C

B

A

D

C

B

A

4

3

2

1

4

3

2

1

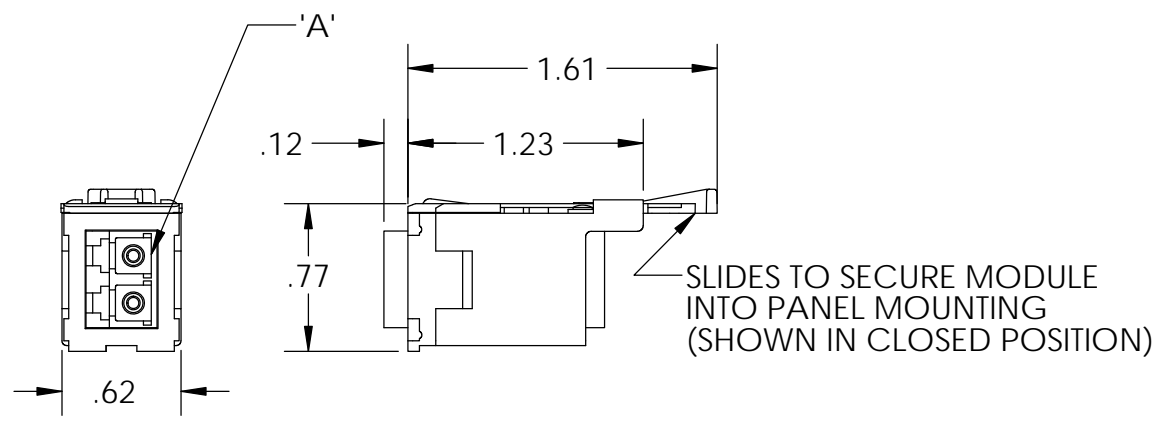


FIGURE 1 3
 ADAPTER: LC DUPLEX
 "OR-HDFM-FLC2CA-XX" SHOWN
 (DUST CAPS NOT SHOWN)

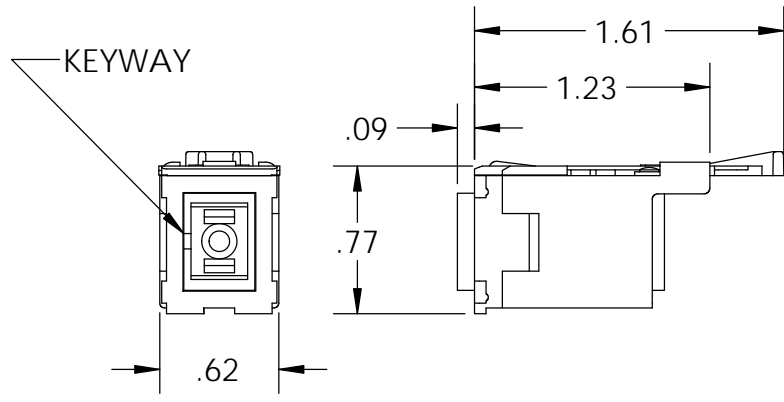


FIGURE 2 3
 ADAPTER: SC SIMPLEX
 "OR-HDFM-FSC1CA-XX" SHOWN
 (DUST CAPS NOT SHOWN)

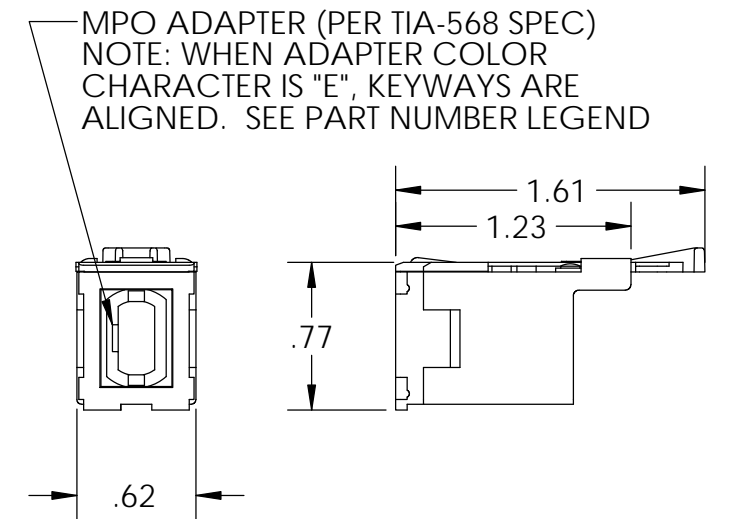


FIGURE 3 3
 ADAPTER: MPO
 "OR-HDFM-FMTZNA-XX" SHOWN
 (DUST PLUGS NOT SHOWN)

ORTRONICS
 125 EUGENE O'NEILL DRIVE
 NEW LONDON, CT 06320
 TEL: 860-445-3800
 FAX: 860-405-2990
 WWW.ORTRONICS.COM

SIZE B	CAD FILE HDFMABBCDEXXC	DWG NO OR-HDFM-ABBCDE-XX	REV 03
SCALE 1:1	SHEET 2 OF 2		