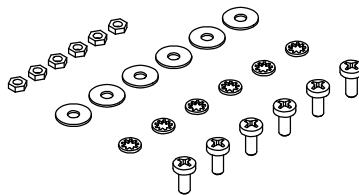
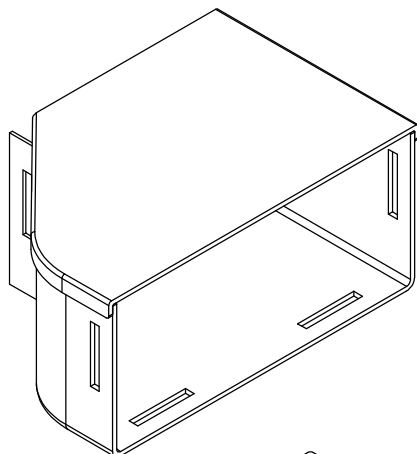
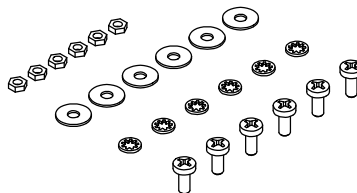
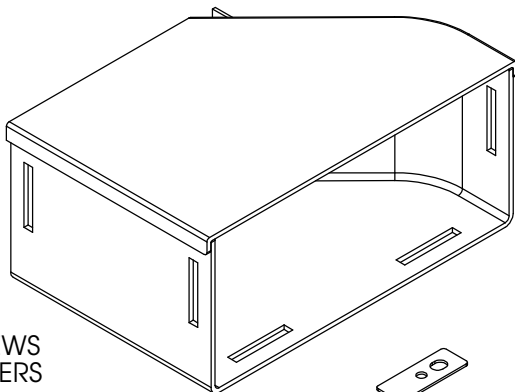


- KIT CONTAINS:
 (1) 8" X 4" TO 6" X 4"
 RACEWAY RH REDUCER
 (4) ADAPTER BRACKETS
 (6) PHILIPS PAN HD SCREWS
 (6) SHAKE-PROOF WASHERS
 (6) FLAT WASHERS
 (6) HEX HD NUTS



RACEWAY ADAPTER RH KIT
 8" X 4" TO PANDUIT 6"

- KIT CONTAINS:
 (1) 8" X 4" TO 6" X 4"
 RACEWAY LH REDUCER
 (4) ADAPTER BRACKETS
 (6) PHILIPS PAN HD SCREWS
 (6) SHAKE-PROOF WASHERS
 (6) FLAT WASHERS
 (6) HEX HD NUTS



RACEWAY ADAPTER LH KIT
 8" X 4" TO PANDUIT 6"

- NOTES:
 • TWO PLACE DECIMAL DIMENSIONS ARE APPROX. DUE TO METRIC TO INCH CONVERSION.
 • FIRE RETARDANT PLASTIC, HALOGEN FREE, UL-94VO RATED.
 • RACEWAY JOINERS SOLD SEPARATELY.

SIZE IN/(MM)	ORTRONICS P/N	COLOR
8" X 4" (220 X 100) RH ADAPTER KIT TO PANDUIT 6"	MMFAKR8X4PAN6-Y	YELLOW
8" X 4" (220 X 100) LH ADAPTER KIT TO PANDUIT 6"	MMFAKL8X4PAN6-Y	YELLOW

NOTE: REPLACE "Y" FOR YELLOW WITH "B" FOR BLACK OR "O" FOR ORANGE. MINIMUM QUANTITIES REQUIRED. CONTACT YOUR CUSTOMER SERVICE REPRESENTATIVE (CSR).

<p>*** NOTICE *** THIS DOCUMENT CONTAINS CONFIDENTIAL AND/OR PROPRIETARY INFORMATION INTENDED FOR USE ONLY BY THE INDIVIDUAL(S) PROVIDED. NEITHER THIS DOCUMENT, NOR ANY INFORMATION CONTAINED HEREIN, MAY BE COPIED, DISTRIBUTED, DISCLOSED TO ANY THIRD PARTY OR USED IN ANY MANNER OTHER THAN FOR WHICH IT HAS BEEN PROVIDED, WITHOUT THE PRIOR WRITTEN CONSENT OF ORTRONICS, INC. MANUFACTURING RELEASE, PRODUCT SPECIFICATIONS AND STANDARDS ARE SUBJECT TO CHANGE WITHOUT NOTICE.</p>				<p>125 EUGENE O'NEILL DRIVE NEW LONDON, CT 06320 TEL: 860-445-3800 FAX: 860-405-2990 WWW.ORTRONICS.COM</p>		
		TITLE		MM FIBER RACEWAY, ADAPTER KIT 8" OUTPUT TO PANDUIT 6"		
	NAME	DATE	SIZE	CAD FILE	DWG NO	REV
DWN	J.QUINN	04/25/12	A	MMFAKW8X4PAN6ZC	OR-MMFAKW8X4PAN6-Z	00
CHK	J.LUCY	05/01/12	SCALE	WEIGHT	SHEET	
APPR	C.VACCA	05/01/12	1:1		1 OF 1	