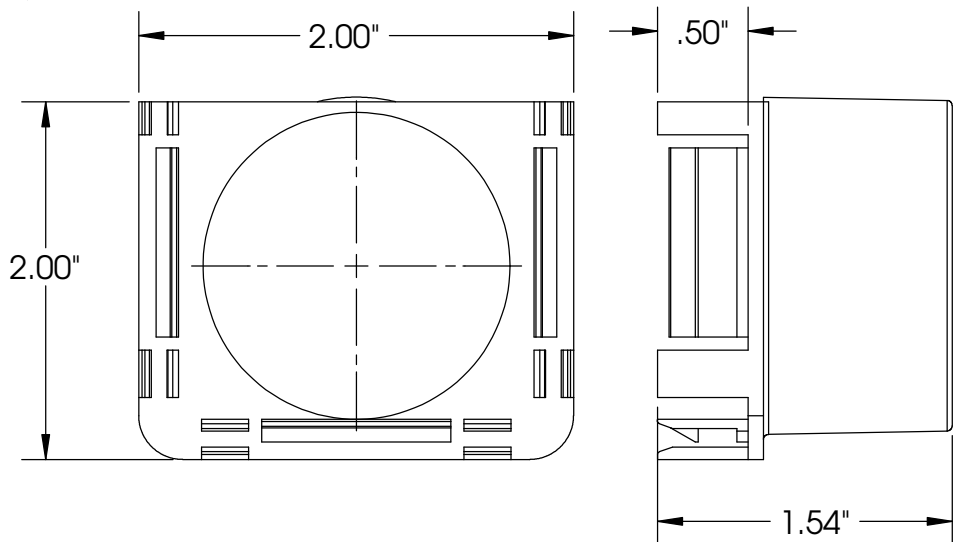


2" X 2" END CAP  
W/ 44mm TUBE OUTLET



2" X 2" RACEWAY END CAP  
W/ 44mm TUBE OUTLET

SIZE IN/(MM)	ORTRONICS P/N	COLOR
2" X 2" (50 X 50)	MMFEC2X244TO-Y	YELLOW
NOTE: REPLACE "Y" FOR YELLOW WITH "B" FOR BLACK OR "O" FOR ORANGE. MINIMUM QUANTITIES REQUIRED. CONTACT YOUR CUSTOMER SERVICE REPRESENTATIVE (CSR).		

NOTES:

- TWO PLACE DECIMAL DIMENSIONS ARE APPROX. DUE TO METRIC TO INCH CONVERSION.
- FIRE RETARDENT PLASTIC, HALOGEN FREE, UL-94VO RATED.
- REPLACE "Y" FOR YELLOW WITH "B" FOR BLACK OR "O" FOR ORANGE. MINIMUM QUANTITIES REQUIRED. CONTACT YOUR CUSTOMER SERVICE REPRESENTATIVE (CSR).

<p>*** NOTICE ***</p> <p>THIS DOCUMENT CONTAINS CONFIDENTIAL AND/OR PROPRIETARY INFORMATION INTENDED FOR USE ONLY BY THE INDIVIDUAL(S) PROVIDED. NEITHER THIS DOCUMENT, NOR ANY INFORMATION CONTAINED HEREIN, MAY BE COPIED, DISTRIBUTED, DISCLOSED TO ANY THIRD PARTY OR USED IN ANY MANNER OTHER THAN FOR WHICH IT HAS BEEN PROVIDED, WITHOUT THE PRIOR WRITTEN CONSENT OF ORTRONICS, INC. MANUFACTURING RELEASE, PRODUCT SPECIFICATIONS AND STANDARDS ARE SUBJECT TO CHANGE WITHOUT NOTICE.</p>					<p>125 EUGENE O'NEILL DRIVE NEW LONDON, CT 06320 TEL: 860-445-3800 FAX: 860-405-2990 WWW.ORTRONICS.COM</p>	
			<p>TITLE</p> <p>MM FIBER RACEWAY, END CAP 2" X 2" W/ 44mm TUBE OUTLET</p>			
	NAME	DATE	SIZE	CAD FILE	DWG NO	REV
DWN	J.QUINN	04/20/12	A	MMFEC2X244TOZC	OR-MMFEC2X244TO-Z	01
CHK	J.LUCY	05/01/12	SCALE	1:48	WEIGHT	SHEET
APPR	C.VACCA	05/01/12				1 OF 1