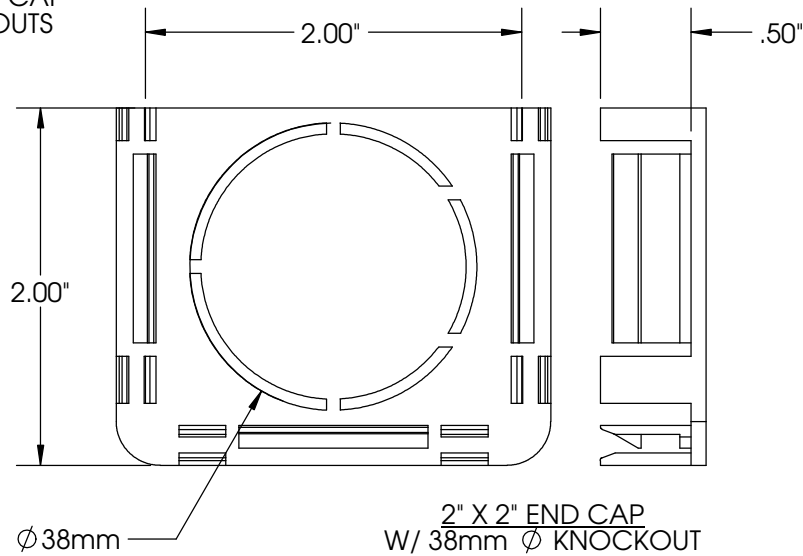


TYPICAL END CAP
W/ KNOCKOUTS



NOTES:

- TWO PLACE DECIMAL DIMENSIONS ARE APPROX. DUE TO METRIC TO INCH CONVERSION.
- FIRE RETARDENT PLASTIC, HALOGEN FREE, UL-94VO RATED.

SIZE IN/(MM)	ORTRONICS P/N	COLOR
2" X 2" (50 X 50) W/ (2) 20mm KNOCKOUTS	MMFEC2X220KO-Y	YELLOW
2" X 2" (50 X 50) W/ 38mm KNOCKOUT	MMFEC2X238KO-Y	YELLOW

NOTE: REPLACE "Y" FOR YELLOW WITH "B" FOR BLACK OR "O" FOR ORANGE. MINIMUM QUANTITIES REQUIRED. CONTACT YOUR CUSTOMER SERVICE REPRESENTATIVE (CSR).

*** NOTICE ***
 THIS DOCUMENT CONTAINS CONFIDENTIAL AND/OR PROPRIETARY INFORMATION INTENDED FOR USE ONLY BY THE INDIVIDUAL(S) PROVIDED. NEITHER THIS DOCUMENT, NOR ANY INFORMATION CONTAINED HEREIN, MAY BE COPIED, DISTRIBUTED, DISCLOSED TO ANY THIRD PARTY OR USED IN ANY MANNER OTHER THAN FOR WHICH IT HAS BEEN PROVIDED, WITHOUT THE PRIOR WRITTEN CONSENT OF ORTRONICS, INC. MANUFACTURING RELEASE, PRODUCT SPECIFICATIONS AND STANDARDS ARE SUBJECT TO CHANGE WITHOUT NOTICE.



125 EUGENE O'NEILL DRIVE
 NEW LONDON, CT 06320
 TEL: 860-445-3800
 FAX: 860-405-2990
 WWW.ORTRONICS.COM

TITLE
 MM FIBER RACEWAY END CAP 2" X 2"
 W/ (2) KNOCKOUTS

	NAME	DATE	SIZE	CAD FILE	DWG NO	REV
DWN	J.QUINN	04/19/12	A	MMFEC2X2WWKOZC	MMFEC2X2WWKO-Z	00
CHK	J.LUCY	05/01/12	SCALE	NONE	WEIGHT	SHEET
APPR	C.VACCA	05/01/12				1 OF 1