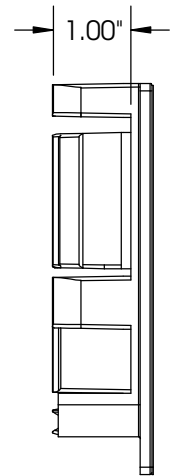
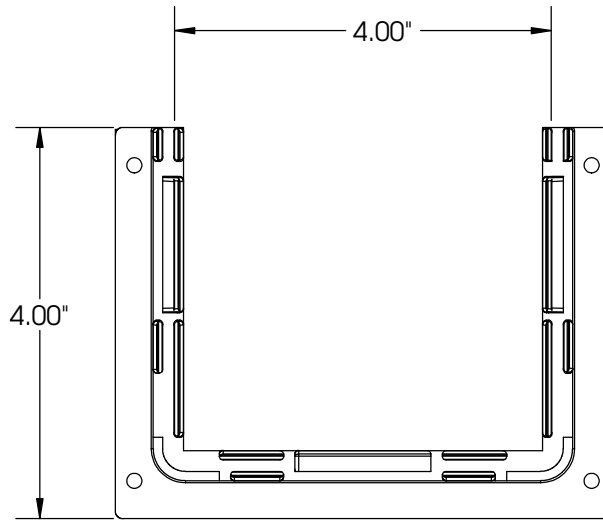


END CAP SUPPORT BRACKET



4" X 4" END CAP SUPPORT BRACKET

NOTES:

- TWO PLACE DECIMAL DIMENSIONS ARE APPROX. DUE TO METRIC TO INCH CONVERSION.
- FIRE RETARDENT PLASTIC, HALOGEN FREE, UL-94VO RATED.

\*\*\* NOTICE \*\*\*  
 THIS DOCUMENT CONTAINS CONFIDENTIAL AND/OR PROPRIETARY INFORMATION INTENDED FOR USE ONLY BY THE INDIVIDUAL(S) PROVIDED. NEITHER THIS DOCUMENT, NOR ANY INFORMATION CONTAINED HEREIN, MAY BE COPIED, DISTRIBUTED, DISCLOSED TO ANY THIRD PARTY OR USED IN ANY MANNER OTHER THAN FOR WHICH IT HAS BEEN PROVIDED, WITHOUT THE PRIOR WRITTEN CONSENT OF ORTRONICS, INC. MANUFACTURING RELEASE, PRODUCT SPECIFICATIONS AND STANDARDS ARE SUBJECT TO CHANGE WITHOUT NOTICE.



125 EUGENE O'NEILL DRIVE  
 NEW LONDON, CT 06320  
 TEL: 860-445-3800  
 FAX: 860-405-2990  
 WWW.ORTRONICS.COM

TITLE  
 MM FIBER RACEWAY, END CAP 4" X 4" END SUPPORT, YELLOW

	NAME	DATE	SIZE	CAD FILE	DWG NO	REV
DWN	J.QUINN	04/20/12	A	MMFEC4X4ESBYC	OR-MMFEC4X4ESB-Y	00
CHK	J.LUCY	05/01/12	SCALE	WEIGHT	SHEET	
APPR	C.VACCA	05/01/12	1:48		1 OF 1	