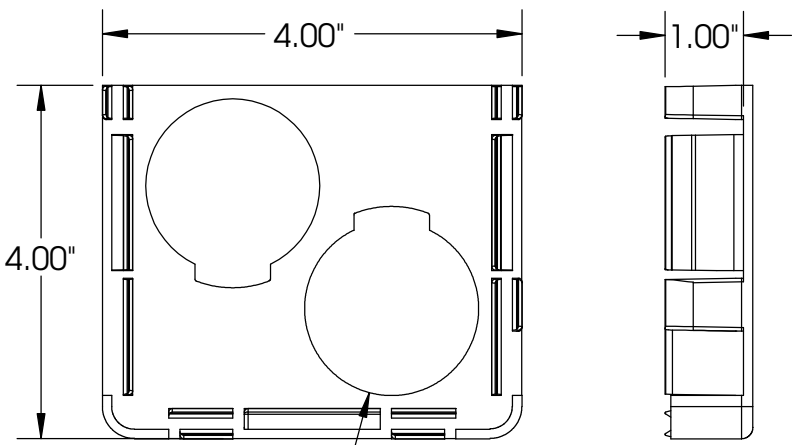


TYPICAL END CAPS  
W/ KNOCKOUTS

4" X 4" END CAP  
W/ (2) 32mm Ø KNOCKOUTS



4" X 4" END CAP  
W/ (2) 46mm Ø KNOCKOUTS

2X Ø 46MM

- NOTES:
- TWO PLACE DECIMAL DIMENSIONS ARE APPROX. DUE TO METRIC TO INCH CONVERSION.
  - FIRE RETARDENT PLASTIC, HALOGEN FREE, UL-94V0 RATED.

SIZE IN/(MM)	ORTRONICS P/N	COLOR
4" X 4" (100 X 100) W/ (2) 32mm KNOCKOUTS	MMFEC4X432KO-Y	YELLOW
4" X 4" (100 X 100) W/ (2) 46mm KNOCKOUTS	MMFEC4X446KO-Y	YELLOW

NOTE: REPLACE "Y" FOR YELLOW WITH "B" FOR BLACK OR "O" FOR ORANGE. MINIMUM QUANTITIES REQUIRED. CONTACT YOUR CUSTOMER SERVICE REPRESENTATIVE (CSR).

<p>*** NOTICE ***</p> <p>THIS DOCUMENT CONTAINS CONFIDENTIAL AND/OR PROPRIETARY INFORMATION INTENDED FOR USE ONLY BY THE INDIVIDUAL(S) PROVIDED. NEITHER THIS DOCUMENT, NOR ANY INFORMATION CONTAINED HEREIN, MAY BE COPIED, DISTRIBUTED, DISCLOSED TO ANY THIRD PARTY OR USED IN ANY MANNER OTHER THAN FOR WHICH IT HAS BEEN PROVIDED, WITHOUT THE PRIOR WRITTEN CONSENT OF ORTRONICS, INC. MANUFACTURING RELEASE, PRODUCT SPECIFICATIONS AND STANDARDS ARE SUBJECT TO CHANGE WITHOUT NOTICE.</p>			<p>125 EUGENE O'NEILL DRIVE NEW LONDON, CT 06320 TEL: 860-445-3800 FAX: 860-405-2990 WWW.ORTRONICS.COM</p>																															
	<p>TITLE</p> <p>MM FIBER RACEWAY, END CAP 4" X 4", W/ (2) KNOCKOUTS</p>																																	
	<table border="1"> <tr> <td>DWN</td> <td>J.QUINN</td> <td>04/20/12</td> </tr> <tr> <td>CHK</td> <td>J.LUCY</td> <td>05/01/12</td> </tr> <tr> <td>APPR</td> <td>C.VACCA</td> <td>05/01/12</td> </tr> </table>	DWN	J.QUINN	04/20/12	CHK	J.LUCY	05/01/12	APPR	C.VACCA	05/01/12	<table border="1"> <tr> <td>NAME</td> <td>DATE</td> </tr> <tr> <td>J.QUINN</td> <td>04/20/12</td> </tr> <tr> <td>J.LUCY</td> <td>05/01/12</td> </tr> <tr> <td>C.VACCA</td> <td>05/01/12</td> </tr> </table>	NAME	DATE	J.QUINN	04/20/12	J.LUCY	05/01/12	C.VACCA	05/01/12	<table border="1"> <tr> <td>SIZE</td> <td>CAD FILE</td> <td>DWG NO</td> <td>REV</td> </tr> <tr> <td>A</td> <td>MMFEC4X4WWKOZC</td> <td>OR-MMFEC4X4WWKO-Z</td> <td>00</td> </tr> </table>	SIZE	CAD FILE	DWG NO	REV	A	MMFEC4X4WWKOZC	OR-MMFEC4X4WWKO-Z	00	<table border="1"> <tr> <td>SCALE</td> <td>WEIGHT</td> <td>SHEET</td> </tr> <tr> <td>1:48</td> <td></td> <td>1 OF 1</td> </tr> </table>	SCALE	WEIGHT	SHEET	1:48	
DWN	J.QUINN	04/20/12																																
CHK	J.LUCY	05/01/12																																
APPR	C.VACCA	05/01/12																																
NAME	DATE																																	
J.QUINN	04/20/12																																	
J.LUCY	05/01/12																																	
C.VACCA	05/01/12																																	
SIZE	CAD FILE	DWG NO	REV																															
A	MMFEC4X4WWKOZC	OR-MMFEC4X4WWKO-Z	00																															
SCALE	WEIGHT	SHEET																																
1:48		1 OF 1																																