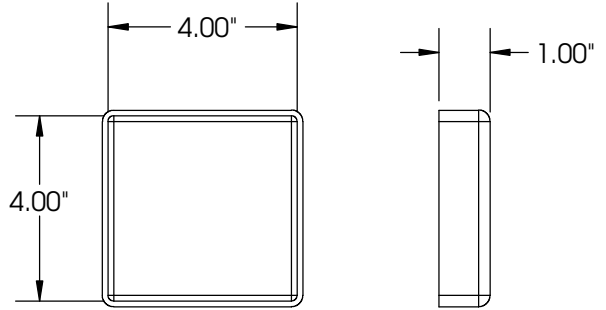
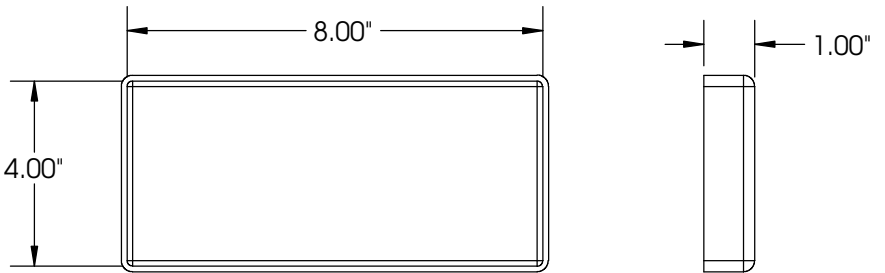


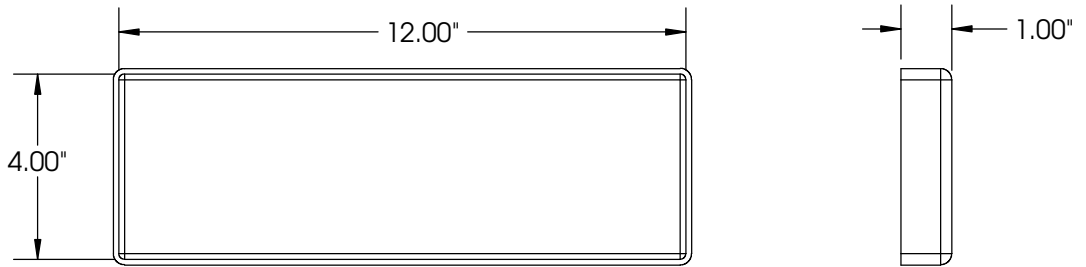
TYPICAL END CAP, BLANK OUTPUT SLOTLESS DUCT



4" X 4" END CAP BLANK OUTPUT FOR SLOTLESS DUCT



8" X 4" END CAP BLANK OUTPUT FOR SLOTLESS DUCT



12" X 4" END CAP BLANK OUTPUT FOR SLOTLESS DUCT

NOTES:

- TWO PLACE DECIMAL DIMENSIONS ARE APPROX. DUE TO METRIC TO INCH CONVERSION.
- FIRE RETARDENT PLASTIC, HALOGEN FREE, UL-94VO RATED.
- RACEWAY SLOTLESS JOINERS SOLD SEPARATELY.

| SIZE IN/(MM)         | ORTRONICS P/N | COLOR  |
|----------------------|---------------|--------|
| 2" X 2" (50 X 50)    | N/A           | N/A    |
| 4" X 2" (100 X 50)   | N/A           | N/A    |
| 4" X 4" (100 X 100)  | MMFECSL4X4-Y  | YELLOW |
| 4" X 8" (100 X 220)  | MMFECSL8X4-Y  | YELLOW |
| 12" X 4" (100 X 300) | MMFECSL12X4-Y | YELLOW |

NOTE: REPLACE "Y" FOR YELLOW WITH "B" FOR BLACK OR "O" FOR ORANGE. MINIMUM QUANTITIES REQUIRED. CONTACT YOUR CUSTOMER SERVICE REPRESENTATIVE (CSR).

\*\*\* NOTICE \*\*\*  
 THIS DOCUMENT CONTAINS CONFIDENTIAL AND/OR PROPRIETARY INFORMATION INTENDED FOR USE ONLY BY THE INDIVIDUAL(S) PROVIDED. NEITHER THIS DOCUMENT, NOR ANY INFORMATION CONTAINED HEREIN, MAY BE COPIED, DISTRIBUTED, DISCLOSED TO ANY THIRD PARTY OR USED IN ANY MANNER OTHER THAN FOR WHICH IT HAS BEEN PROVIDED, WITHOUT THE PRIOR WRITTEN CONSENT OF ORTRONICS, INC. MANUFACTURING RELEASE, PRODUCT SPECIFICATIONS AND STANDARDS ARE SUBJECT TO CHANGE WITHOUT NOTICE.



125 EUGENE O'NEILL DRIVE  
 NEW LONDON, CT 06320  
 TEL: 860-445-3800  
 FAX: 860-405-2990  
 WWW.ORTRONICS.COM

TITLE  
**MM FIBER RACEWAY, END CAP SLOTLESS DUCT, BLANK OUTPUT**

|      |         |          |            |                         |                          |        |
|------|---------|----------|------------|-------------------------|--------------------------|--------|
| DWN  | J.QUINN | 04/19/12 | SIZE A     | CAD FILE MMFECSLXXxYYZC | DWG NO OR-MMFECSLXXxYY-Z | REV 00 |
| CHK  | J.LUCY  | 05/01/12 | SCALE 1:48 | WEIGHT                  | SHEET 1 OF 1             |        |
| APPR | C.VACCA | 05/01/12 |            |                         |                          |        |