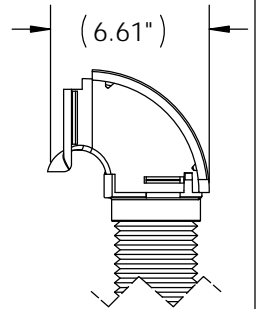
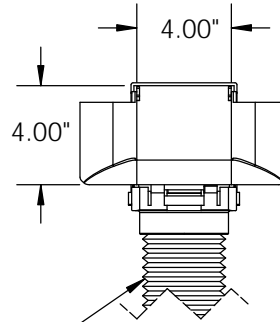
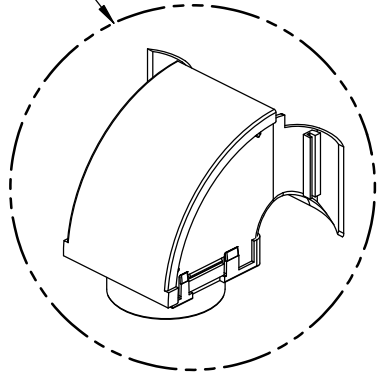


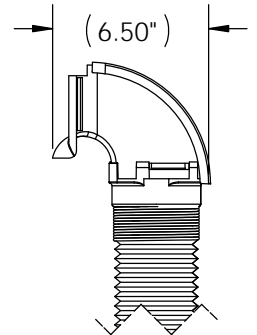
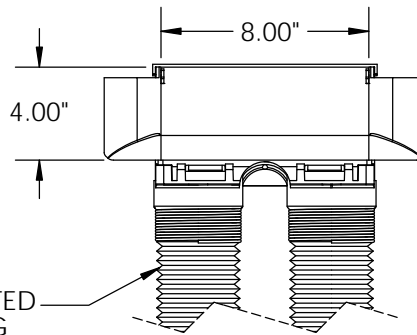
CONVOLUTED
TUBE 2 METER LG
INCLUDED



4" X 4" HIGH CAPACITY
DROP OFF-KIT



TYPICAL DROP-OFF KIT
CONVOLUTED TUBE OMITTED
FOR CLARITY



(2X) CONVOLUTED
TUBE 2 METER LG
INCLUDED

8" X 4" HIGH CAPACITY
DROP OFF-KIT

NOTES:

- TWO PLACE DECIMAL DIMENSIONS ARE APPROX. DUE TO METRIC TO INCH CONVERSION.
- FIRE RETARDANT PLASTIC, HALOGEN FREE, UL-94VO RATED.
- RACEWAY JOINERS SOLD SEPARATELY.
- HIGH CAPACITY DROP-OFF KITS INCLUDE COVERS AS SHOWN.

SIZE IN/[MM]	ORTRONICS P/N	COLOR
4" X 4" [100 X 100]	MMFHCBOK4X4-Y	YELLOW
4" X 8" [100 X 220]	MMFHCBOK8X4-Y	YELLOW

NOTE: REPLACE "Y" FOR YELLOW WITH "B" FOR BLACK OR "O" FOR ORANGE. MINIMUM QUANTITIES REQUIRED. CONTACT YOUR CUSTOMER SERVICE REPRESENTATIVE (CSR).

*** NOTICE ***
THIS DOCUMENT CONTAINS CONFIDENTIAL AND/OR PROPRIETARY INFORMATION INTENDED FOR USE ONLY BY THE INDIVIDUAL(S) PROVIDED. NEITHER THIS DOCUMENT, NOR ANY INFORMATION CONTAINED HEREIN, MAY BE COPIED, DISTRIBUTED, DISCLOSED TO ANY THIRD PARTY OR USED IN ANY MANNER OTHER THAN FOR WHICH IT HAS BEEN PROVIDED, WITHOUT THE PRIOR WRITTEN CONSENT OF ORTRONICS, INC. MANUFACTURING RELEASE, PRODUCT SPECIFICATIONS AND STANDARDS ARE SUBJECT TO CHANGE WITHOUT NOTICE.



125 EUGENE O'NEILL DRIVE
NEW LONDON, CT 06320
TEL: 860-445-3800
FAX: 860-405-2990
WWW.ORTRONICS.COM

TITLE

MM FIBER RACEWAY, DROP-OFF KIT,
HIGH CAPACITY 90 DEG

	NAME	DATE	SIZE	CAD FILE	DWG NO	REV
DWN	J.QUINN	04/23/12	A	MMFHCBOKXXXYYZC	OR-MMFHCBOKXXXYY-Z	00
CHK	J.LUCY	05/01/12	SCALE	1:48	WEIGHT	SHEET
APPR	C.VACCA	05/01/12				1 OF 1