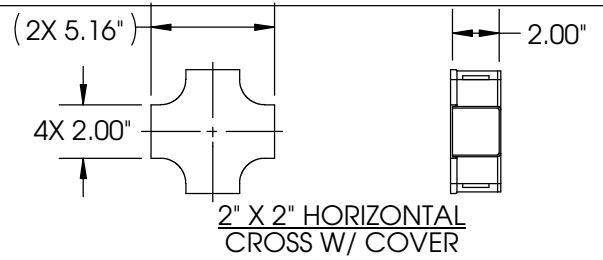
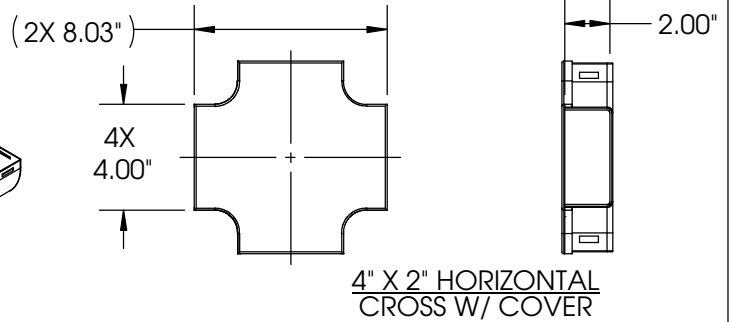


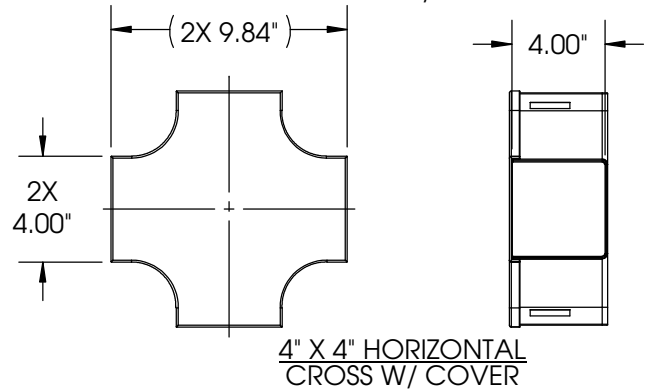
TYPICAL HORIZONTAL CROSS W/ COVER



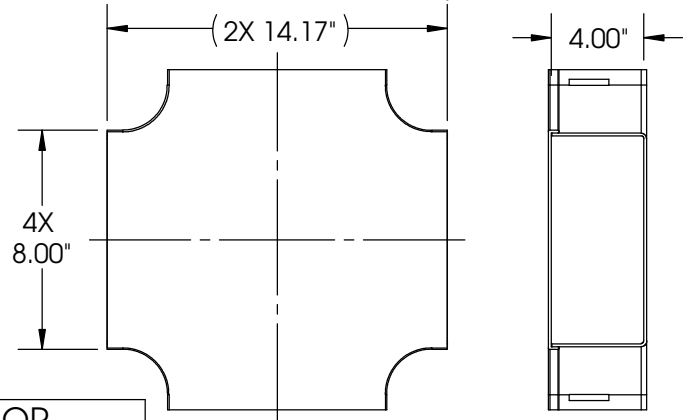
2" X 2" HORIZONTAL CROSS W/ COVER



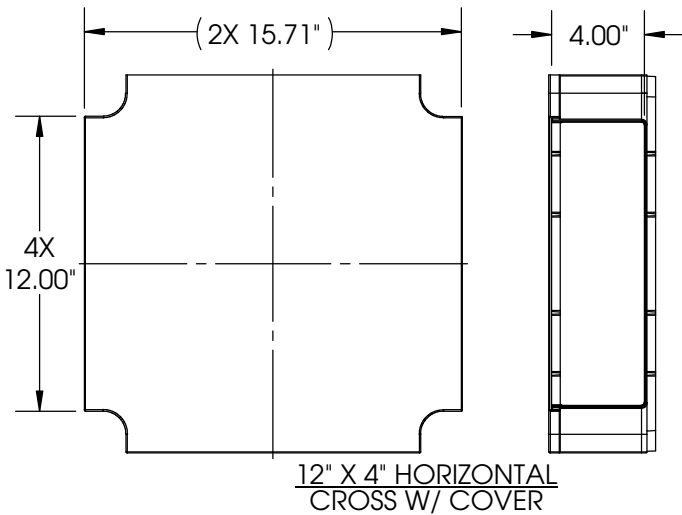
4" X 2" HORIZONTAL CROSS W/ COVER



4" X 4" HORIZONTAL CROSS W/ COVER



8" X 4" HORIZONTAL CROSS W/ COVER



12" X 4" HORIZONTAL CROSS W/ COVER

- NOTES:
- RACEWAY JOINERS SOLD SEPARATELY.
 - TWO PLACE DECIMAL DIMENSIONS ARE APPROX. DUE TO METRIC TO INCH CONVERSION.
 - FIRE RETARDENT PLASTIC, HALOGEN FREE, UL-94VO RATED.

SIZE IN/(MM)	ORTRONICS P/N	COLOR
2" X 2" (50 X 50)	MMFHCC2X2-Y	YELLOW
4" X 2" (100 X 50)	MMFHCC4X2-Y	YELLOW
4" X 4" (100 X 100)	MMFHCC4X4-Y	YELLOW
4" X 8" (100 X 220)	MMFHCC8X4-Y	YELLOW
12" X 4" (100 X 300)	MMFHCC12X4-Y	YELLOW

NOTE: REPLACE "Y" FOR YELLOW WITH "B" FOR BLACK OR "O" FOR ORANGE. MINIMUM QUANTITIES REQUIRED. CONTACT YOUR CUSTOMER SERVICE REPRESENTATIVE (CSR).

*** NOTICE ***
 THIS DOCUMENT CONTAINS CONFIDENTIAL AND/OR PROPRIETARY INFORMATION INTENDED FOR USE ONLY BY THE INDIVIDUAL(S) PROVIDED. NEITHER THIS DOCUMENT, NOR ANY INFORMATION CONTAINED HEREIN, MAY BE COPIED, DISTRIBUTED, DISCLOSED TO ANY THIRD PARTY OR USED IN ANY MANNER OTHER THAN FOR WHICH IT HAS BEEN PROVIDED, WITHOUT THE PRIOR WRITTEN CONSENT OF ORTRONICS, INC. MANUFACTURING RELEASE, PRODUCT SPECIFICATIONS AND STANDARDS ARE SUBJECT TO CHANGE WITHOUT NOTICE.



125 EUGENE O'NEILL DRIVE
 NEW LONDON, CT 06320
 TEL: 860-445-3800
 FAX: 860-405-2990
 WWW.ORTRONICS.COM

TITLE
 MM FIBER RACEWAY, HORIZ CROSS, W/ COVER

NAME	DATE	SIZE	CAD FILE	DWG NO	REV
DWN	J.QUINN	04/16/12	A	MMFHCCXXxYYZC	00
CHK	J.LUCY	05/01/12	SCALE	1:48	WEIGHT
APPR	C.VACCA	05/01/12	SHEET		1 OF 1