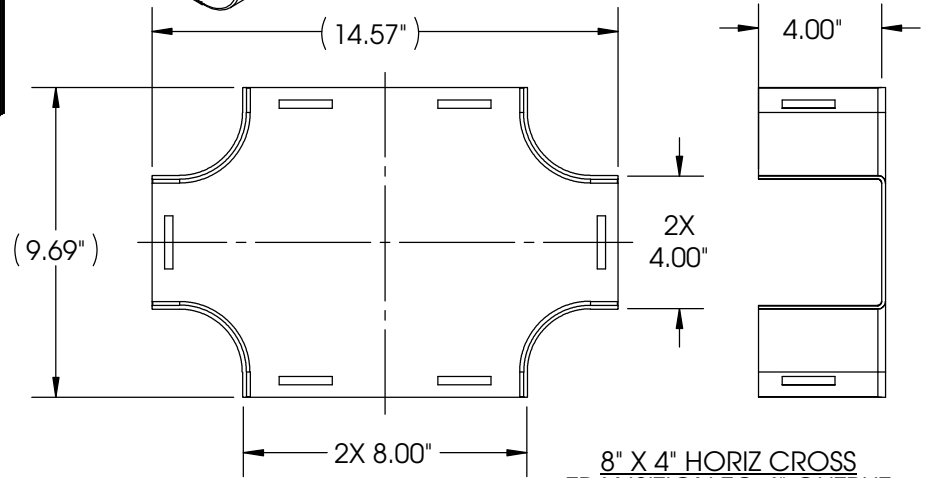
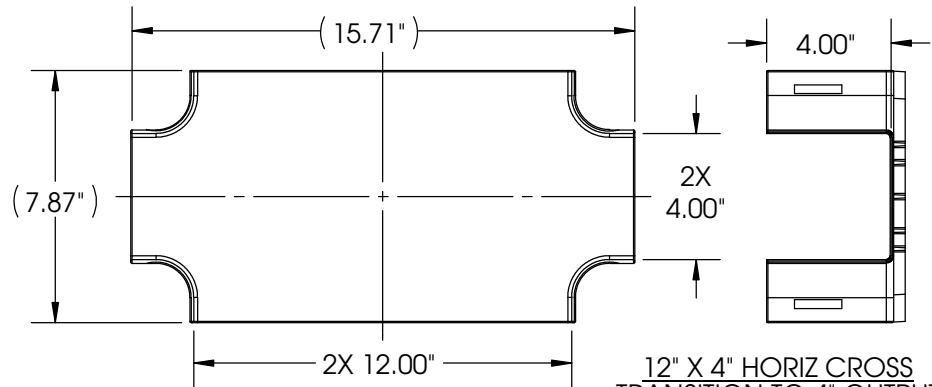


TYPICAL HORIZONTAL CROSS TRANSITION



8" X 4" HORIZ CROSS TRANSITION TO 4" OUTPUT



12" X 4" HORIZ CROSS TRANSITION TO 4" OUTPUT

NOTES:

- TWO PLACE DECIMAL DIMENSIONS ARE APPROX. DUE TO METRIC TO INCH CONVERSION.
- FIRE RETARDANT PLASTIC, HALOGEN FREE, UL-94VO RATED.
- RACEWAY JOINERS SOLD SEPARATELY.

SIZE IN/(MM)	ORTRONICS P/N	COLOR
4" X 8" (100 X 220)	MMFHC8X4T4-Y	YELLOW
12" X 4" (100 X 300)	MMFHC12X4T4-Y	YELLOW

NOTE: REPLACE "Y" FOR YELLOW WITH "B" FOR BLACK OR "O" FOR ORANGE. MINIMUM QUANTITIES REQUIRED. CONTACT YOUR CUSTOMER SERVICE REPRESENTATIVE (CSR).

<p>*** NOTICE ***</p> <p>THIS DOCUMENT CONTAINS CONFIDENTIAL AND/OR PROPRIETARY INFORMATION INTENDED FOR USE ONLY BY THE INDIVIDUAL(S) PROVIDED. NEITHER THIS DOCUMENT, NOR ANY INFORMATION CONTAINED HEREIN, MAY BE COPIED, DISTRIBUTED, DISCLOSED TO ANY THIRD PARTY OR USED IN ANY MANNER OTHER THAN FOR WHICH IT HAS BEEN PROVIDED, WITHOUT THE PRIOR WRITTEN CONSENT OF ORTRONICS, INC. MANUFACTURING RELEASE, PRODUCT SPECIFICATIONS AND STANDARDS ARE SUBJECT TO CHANGE WITHOUT NOTICE.</p>				<p>125 EUGENE O'NEILL DRIVE NEW LONDON, CT 06320 TEL: 860-445-3800 FAX: 860-405-2990 WWW.ORTRONICS.COM</p>					
		<p>TITLE</p> <p>MM FIBER RACEWAY, HORIZ CROSS TRANSITION, 4" OUTPUT</p>							
DWN	J.QUINN	04/18/12	SIZE A	CAD FILE	MMFHCXXYYT4ZC	DWG NO	OR-MMFHCXXYYT4-Z	REV	00
CHK	J.LUCY	05/01/12	SCALE	1:48	WEIGHT	SHEET	1 OF 1		
APPR	C.VACCA	05/01/12							