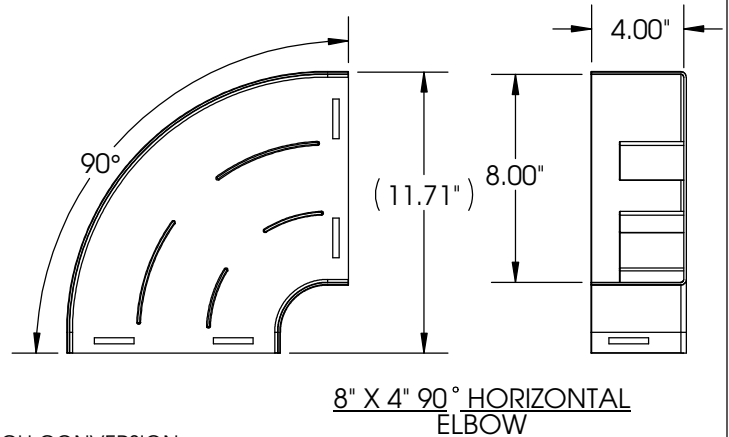
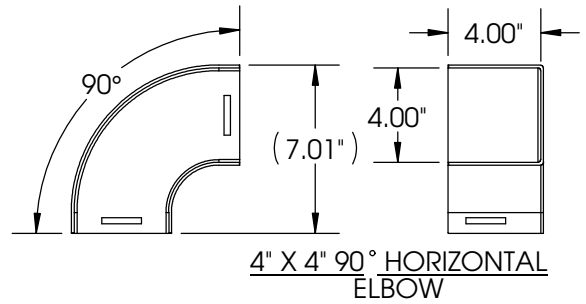
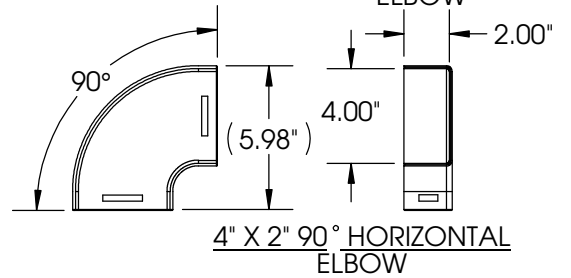
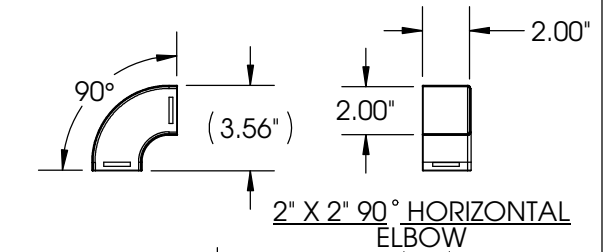
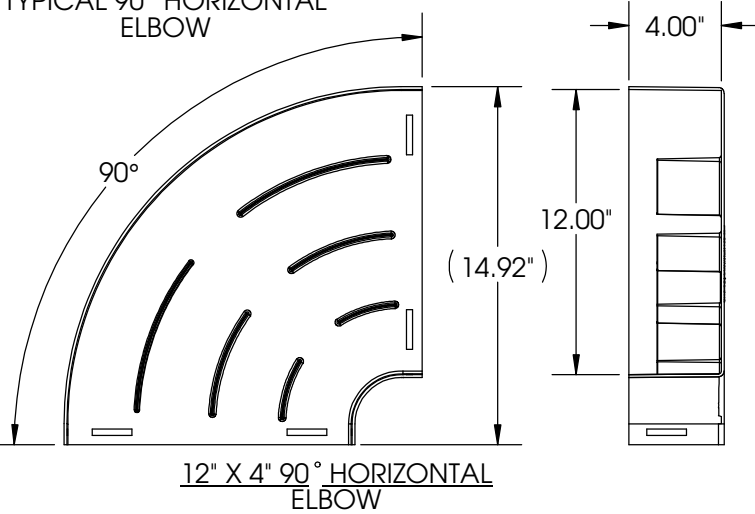


TYPICAL 90° HORIZONTAL ELBOW



NOTES:

- TWO PLACE DECIMAL DIMENSIONS ARE APPROX. DUE TO METRIC TO INCH CONVERSION.
- FIRE RETARDENT PLASTIC, HALOGEN FREE, UL-94VO RATED.
- RACEWAY JOINERS SOLD SEPARATELY.

SIZE IN/(MM)	ORTRONICS P/N	COLOR
2" X 2" (50 X 50)	MMFHE902X2-Y	YELLOW
4" X 2" (100 X 50)	MMFHE904X2-Y	YELLOW
4" X 4" (100 X 100)	MMFHE904X4-Y	YELLOW
4" X 8" (100 X 220)	MMFHE908X4-Y	YELLOW
12" X 4" (100 X 300)	MMFHE9012X4-Y	YELLOW

NOTE: REPLACE "Y" FOR YELLOW WITH "B" FOR BLACK OR "O" FOR ORANGE. MINIMUM QUANTITIES REQUIRED. CONTACT YOUR CUSTOMER SERVICE REPRESENTATIVE (CSR).

*** NOTICE ***
 THIS DOCUMENT CONTAINS CONFIDENTIAL AND/OR PROPRIETARY INFORMATION INTENDED FOR USE ONLY BY THE INDIVIDUAL(S) PROVIDED. NEITHER THIS DOCUMENT, NOR ANY INFORMATION CONTAINED HEREIN, MAY BE COPIED, DISTRIBUTED, DISCLOSED TO ANY THIRD PARTY OR USED IN ANY MANNER OTHER THAN FOR WHICH IT HAS BEEN PROVIDED, WITHOUT THE PRIOR WRITTEN CONSENT OF ORTRONICS, INC. MANUFACTURING RELEASE, PRODUCT SPECIFICATIONS AND STANDARDS ARE SUBJECT TO CHANGE WITHOUT NOTICE.



125 EUGENE O'NEILL DRIVE
 NEW LONDON, CT 06320
 TEL: 860-445-3800
 FAX: 860-405-2990
 WWW.ORTRONICS.COM

TITLE
 MM FIBER RACE WAY, HORZ ELBOW 90DEG

DWN	J.QUINN	04/11/12	SIZE A	CAD FILE MMFHE90XXxYYZC	DWG NO OR-MMFHE90XXxYY-Z	REV 00
CHK	J.LUCY	05/01/12	SCALE 1:48	WEIGHT	SHEET 1 OF 1	
APPR	C.VACCA	05/01/12				