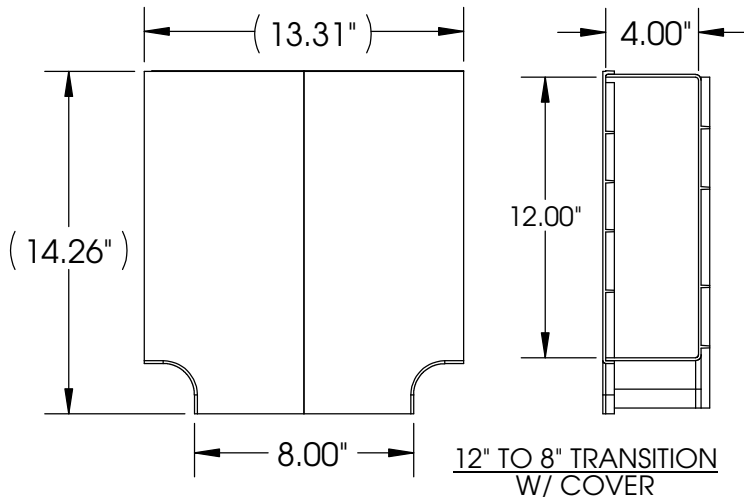
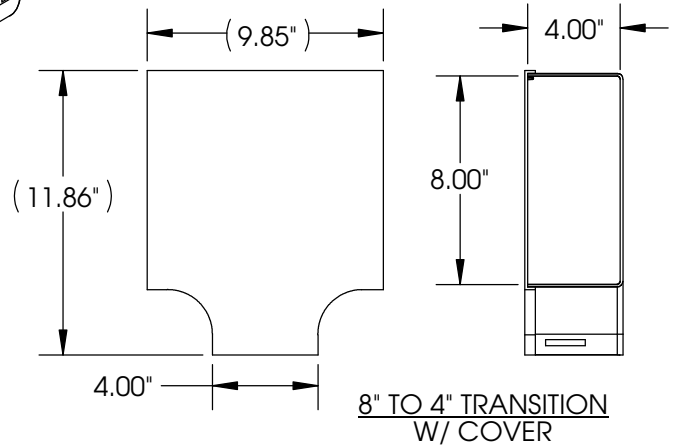


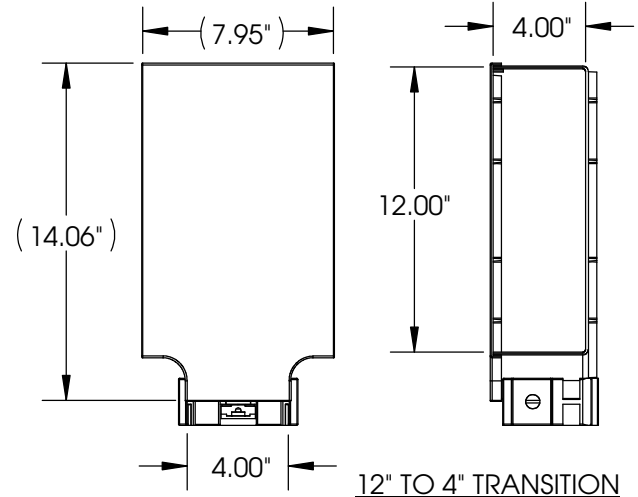
TYPICAL TRANSITION TEE W/ COVER



12" TO 8" TRANSITION W/ COVER



8" TO 4" TRANSITION W/ COVER



12" TO 4" TRANSITION W/ COVER (1) JOINER INCLUDED

- NOTES:
- SINGLE RACEWAY JOINER INCLUDED WHERE SHOWN.
  - TWO PLACE DECIMAL DIMENSIONS ARE APPROX. DUE TO METRIC TO INCH CONVERSION.
  - FIRE RETARDENT PLASTIC, HALOGEN FREE, UL-94VO RATED.

SIZE IN/(MM)	ORTRONICS P/N	COLOR
4" TO 8" (100 TO 220)	MMFHTC4T8-Y	YELLOW
8" TO 4" (220 TO 100)	MMFHTC8T4-Y	YELLOW
12" TO 8" (300 TO 220)	MMFHTC12T8-Y	YELLOW
12" TO 4" (300 TO 100)	MMFHTC12T4-Y	YELLOW

NOTE: REPLACE "Y" FOR YELLOW WITH "B" FOR BLACK OR "O" FOR ORANGE. MINIMUM QUANTITIES REQUIRED. CONTACT YOUR CUSTOMER SERVICE REPRESENTATIVE (CSR).

<p>*** NOTICE ***</p> <p>THIS DOCUMENT CONTAINS CONFIDENTIAL AND/OR PROPRIETARY INFORMATION INTENDED FOR USE ONLY BY THE INDIVIDUAL(S) PROVIDED. NEITHER THIS DOCUMENT, NOR ANY INFORMATION CONTAINED HEREIN, MAY BE COPIED, DISTRIBUTED, DISCLOSED TO ANY THIRD PARTY OR USED IN ANY MANNER OTHER THAN FOR WHICH IT HAS BEEN PROVIDED, WITHOUT THE PRIOR WRITTEN CONSENT OF ORTRONICS, INC. MANUFACTURING RELEASE, PRODUCT SPECIFICATIONS AND STANDARDS ARE SUBJECT TO CHANGE WITHOUT NOTICE.</p>			<p>125 EUGENE O'NEILL DRIVE NEW LONDON, CT 06320 TEL: 860-445-3800 FAX: 860-405-2990 WWW.ORTRONICS.COM</p>																																				
			<p>TITLE</p> <p>MM FIBER RACEWAY, HORIZ TEE TRANSITION, W/ COVER</p>																																				
	<table border="1"> <tr> <td>DWN</td> <td>J.QUINN</td> <td>04/12/12</td> <td>SIZE A</td> <td>CAD FILE</td> <td>MMFHTCXXTYYZC</td> <td>DWG NO</td> <td>OR-MMFHTCXXTY-Y-Z</td> <td>REV</td> <td>00</td> </tr> <tr> <td>CHK</td> <td>J.LUCY</td> <td>05/01/12</td> <td>SCALE</td> <td>1:48</td> <td>WEIGHT</td> <td>SHEET</td> <td>1 OF 1</td> <td></td> <td></td> </tr> <tr> <td>APPR</td> <td>C.VACCA</td> <td>05/01/12</td> <td></td> <td></td> <td></td> <td></td> <td></td> <td></td> <td></td> </tr> </table>	DWN	J.QUINN	04/12/12	SIZE A	CAD FILE	MMFHTCXXTYYZC	DWG NO	OR-MMFHTCXXTY-Y-Z	REV	00	CHK	J.LUCY	05/01/12	SCALE	1:48	WEIGHT	SHEET	1 OF 1			APPR	C.VACCA	05/01/12															
DWN	J.QUINN	04/12/12	SIZE A	CAD FILE	MMFHTCXXTYYZC	DWG NO	OR-MMFHTCXXTY-Y-Z	REV	00																														
CHK	J.LUCY	05/01/12	SCALE	1:48	WEIGHT	SHEET	1 OF 1																																
APPR	C.VACCA	05/01/12																																					