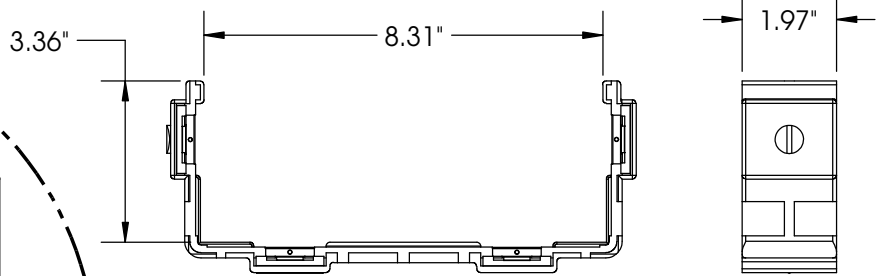
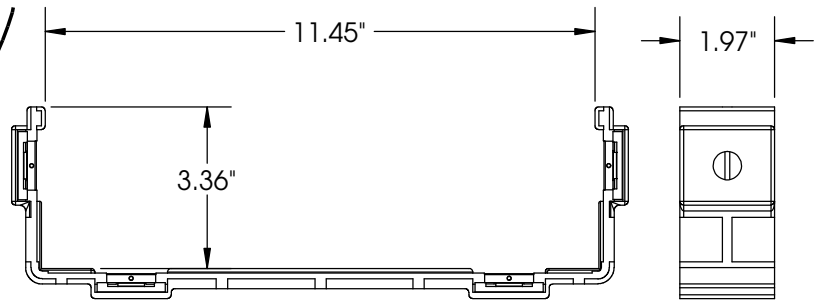


4" X 4" DUCT
SLOTLESS JOINER

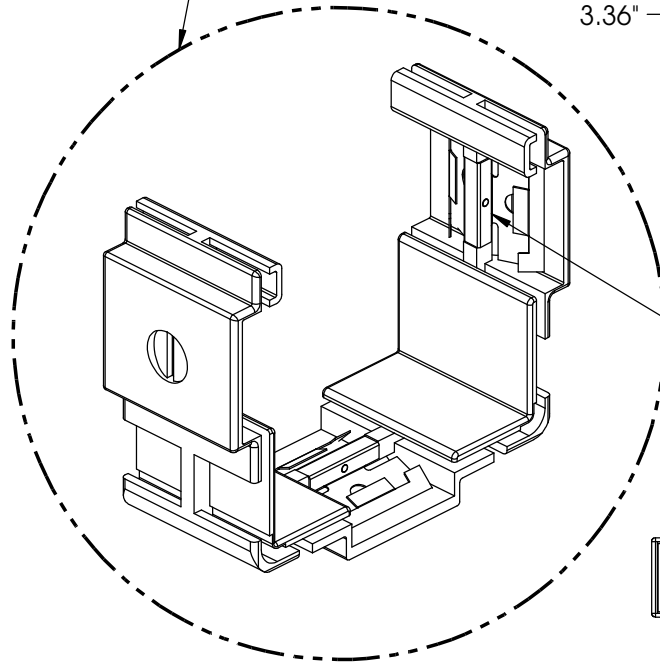


8" X 4" DUCT
SLOTLESS JOINER

SEE NOTES
(JOINER'S WEB WIDTH)



12" X 4" DUCT
SLOTLESS JOINER



TYPICAL SLOTLESS DUCT JOINER

NOTES"

- FIRE RETARDANT PLASTIC, HALOGEN FREE, UL-94VO RATED.
- WHEN LAYING OUT THE OVERALL RACEWAY LENGTH, ADD .25" PER JOINERS WEB WIDTH.

SIZE IN/(MM)	ORTRONICS P/N	COLOR
2" X 2" (50 X 50)	N/A	N/A
4" X 2" (100 X 50)	N/A	N/A
4" X 4" (100 X 100)	MMFJ4X4-Y	YELLOW
4" X 8" (100 X 220)	MMFJ8X4-Y	YELLOW
12" X 4" (100 X 300)	MMFJ12X4-Y	YELLOW

NOTE: REPLACE "Y" FOR YELLOW WITH "B" FOR BLACK, OR "O" FOR ORANGE. MINIMUM QUANTITIES REQUIRED. CONTACT YOUR CUSTOMER SERVICE REPRESENTATIVE (CSR).

*** NOTICE ***
THIS DOCUMENT CONTAINS CONFIDENTIAL AND/OR PROPRIETARY INFORMATION INTENDED FOR USE ONLY BY THE INDIVIDUAL(S) PROVIDED. NEITHER THIS DOCUMENT, NOR ANY INFORMATION CONTAINED HEREIN, MAY BE COPIED, DISTRIBUTED, DISCLOSED TO ANY THIRD PARTY OR USED IN ANY MANNER OTHER THAN FOR WHICH IT HAS BEEN PROVIDED, WITHOUT THE PRIOR WRITTEN CONSENT OF ORTRONICS, INC. MANUFACTURING RELEASE, PRODUCT SPECIFICATIONS AND STANDARDS ARE SUBJECT TO CHANGE WITHOUT NOTICE.



125 EUGENE O'NEILL DRIVE
NEW LONDON, CT 06320
TEL: 860-445-3800
FAX: 860-405-2990
WWW.ORTRONICS.COM

TITLE
MM FIBER RACEWAY, JOINER SLOTLESS

	NAME	DATE	SIZE	CAD FILE	DWG NO	REV
DWN	J.QUINN	03/29/12	A	MMFJSLXXxYYZC	OR-MMFJSLXXxYY-Z	00
CHK	J.LUCY	05/01/12	SCALE	1:48	WEIGHT	
APPR	C.VACCA	05/01/12			SHEET	1 OF 1