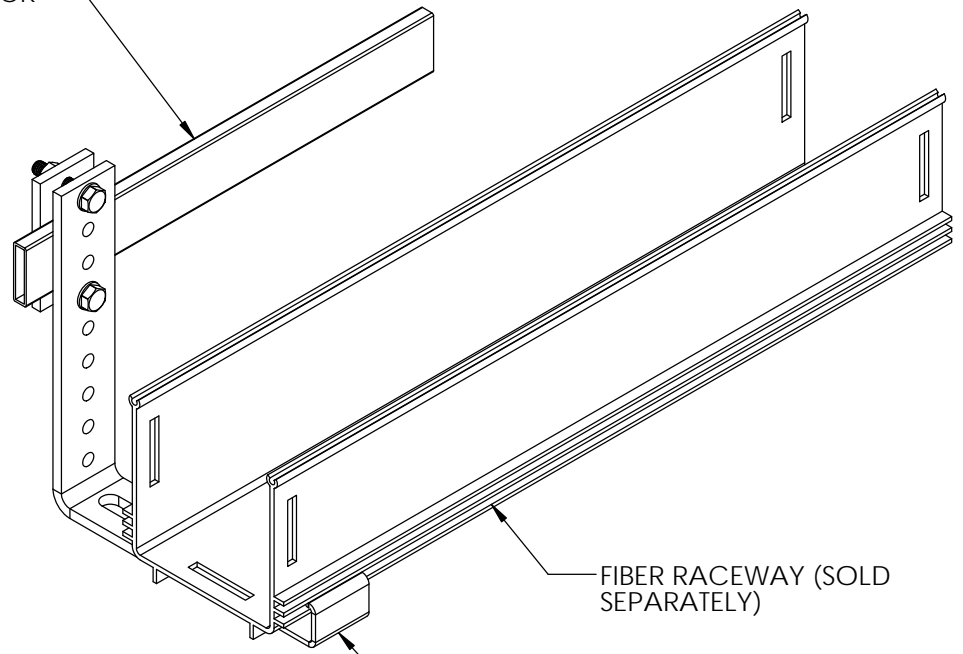


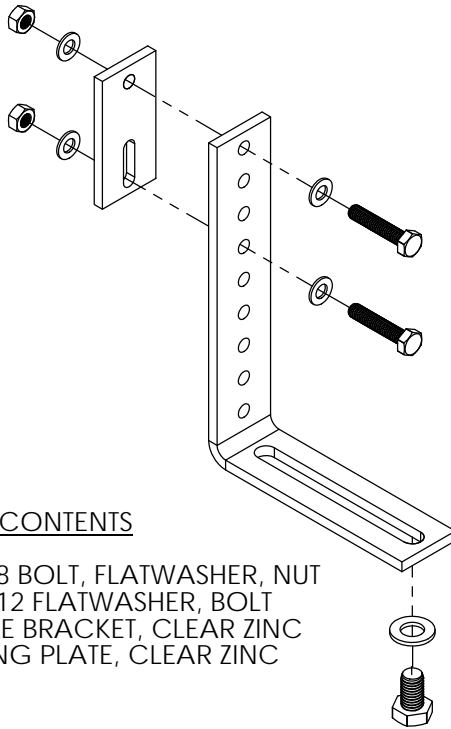
TYPICAL LADDER RACK STRINGER



FIBER RACEWAY (SOLD SEPARATELY)

FIBER RACEWAY MOUNTING BRACKET (SOLD SEPARATELY)

TYPICAL MOUNTING ARRANGEMENT



TYPICAL KIT CONTENTS

INCLUDES:

- (2) EACH M8 BOLT, FLATWASHER, NUT
- (1) EACH M12 FLATWASHER, BOLT
- (1) "L" ANGLE BRACKET, CLEAR ZINC
- (1) CLAMPING PLATE, CLEAR ZINC

SIZE IN/[MM]	ORTRONICS P/N
2" X 2" [50 X 50]	OR-MMFRUNBK2
4" X 2" [100 X 50]	OR-MMFRUNBK4812
4" X 4" [100 X 100]	
4" X 8" [100 X 220]	
12" X 4" [100 X 300]	

*** NOTICE ***
 THIS DOCUMENT CONTAINS CONFIDENTIAL AND/OR PROPRIETARY INFORMATION INTENDED FOR USE ONLY BY THE INDIVIDUAL(S) PROVIDED. NEITHER THIS DOCUMENT, NOR ANY INFORMATION CONTAINED HEREIN, MAY BE COPIED, DISTRIBUTED, DISCLOSED TO ANY THIRD PARTY OR USED IN ANY MANNER OTHER THAN FOR WHICH IT HAS BEEN PROVIDED, WITHOUT THE PRIOR WRITTEN CONSENT OF ORTRONICS, INC. MANUFACTURING RELEASE, PRODUCT SPECIFICATIONS AND STANDARDS ARE SUBJECT TO CHANGE WITHOUT NOTICE.



125 EUGENE O'NEILL DRIVE
 NEW LONDON, CT 06320
 TEL: 860-445-3800
 FAX: 860-405-2990
 WWW.ORTRONICS.COM

TITLE		MM FIBER RACEWAY, RUNWAY MTG BRKT			
NAME	DATE	SIZE	CAD FILE	DWG NO	REV
DWN	J.QUINN	A	MMFRUNBKXXXXC	OR-MMFRUNBKXXXX	00
CHK	J.LUCY	SCALE	WEIGHT	SHEET	
APPR	C.VACCA	1:8		1 OF 1	