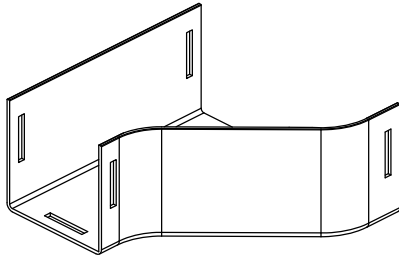
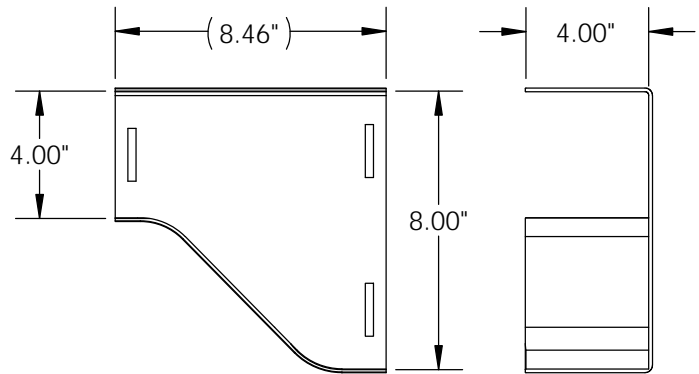


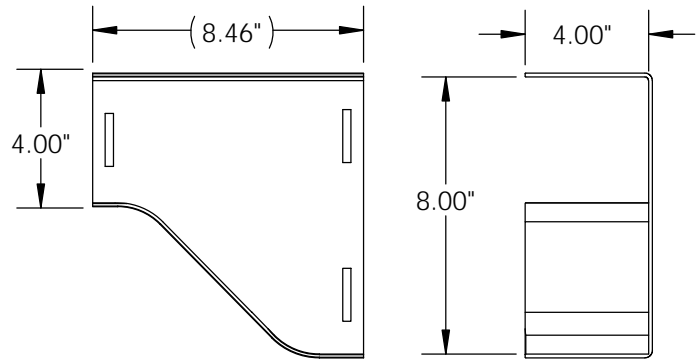
TYPICAL RH REDUCER TO 4" OUTPUT



TYPICAL RH REDUCER TO 4" OUTPUT W/COVER



8" X 4" REDUCER RH TO 4" OUTPUT



8" X 4" REDUCER RH TO 4" OUTPUT W/COVER

NOTES:

- TWO PLACE DECIMAL DIMENSIONS ARE APPROX. DUE TO METRIC TO INCH CONVERSION.
- FIRE RETARDENT PLASTIC, HALOGEN FREE, UL-94VO RATED.
- RACEWAY JOINERS SOLD SEPARATELY

SIZE IN/[MM]	ORTRONICS P/N	COLOR
8" X 4" [220 X 100] REDUCE TO 4" OUTPUT W/O COVER	MMFR8X4R4X4-Y	YELLOW
8" X 4" [220 X 100] REDUCE TO 4" OUTPUT W/ COVER	MMFRC8X4R4X4-Y	YELLOW

NOTE: REPLACE "Y" FOR YELLOW WITH "B" FOR BLACK OR "O" FOR ORANGE. MINIMUM QUANTITIES REQUIRED. CONTACT YOUR CUSTOMER SERVICE REPRESENTATIVE (CSR).

<p>*** NOTICE ***</p> <p>THIS DOCUMENT CONTAINS CONFIDENTIAL AND/OR PROPRIETARY INFORMATION INTENDED FOR USE ONLY BY THE INDIVIDUAL(S) PROVIDED. NEITHER THIS DOCUMENT, NOR ANY INFORMATION CONTAINED HEREIN, MAY BE COPIED, DISTRIBUTED, DISCLOSED TO ANY THIRD PARTY OR USED IN ANY MANNER OTHER THAN FOR WHICH IT HAS BEEN PROVIDED, WITHOUT THE PRIOR WRITTEN CONSENT OF ORTRONICS, INC. MANUFACTURING RELEASE, PRODUCT SPECIFICATIONS AND STANDARDS ARE SUBJECT TO CHANGE WITHOUT NOTICE.</p>					<p>125 EUGENE O'NEILL DRIVE NEW LONDON, CT 06320 TEL: 860-445-3800 FAX: 860-405-2990 WWW.ORTRONICS.COM</p>		
			<p>TITLE</p> <p>MM FIBER RACEWAY, REDUCER RH 4" OUTPUT</p>				
	NAME	DATE	SIZE	CAD FILE	DWG NO	REV	
DWN	J.QUINN	04/23/12	A	MMFRW8X4R4X4ZC	OR-MMFRW8X4R4X4-Z	00	
CHK	J.LUCY	05/01/12	SCALE	1:48	WEIGHT	SHEET	
APPR	C.VACCA	05/01/12				1 OF 1	