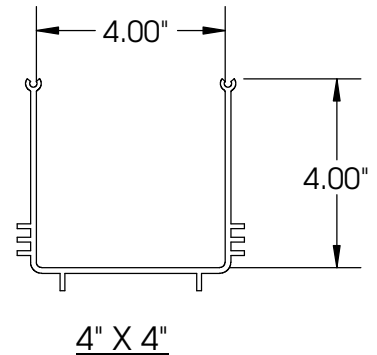
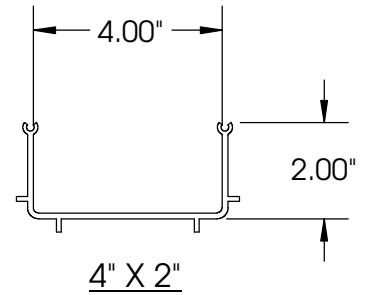
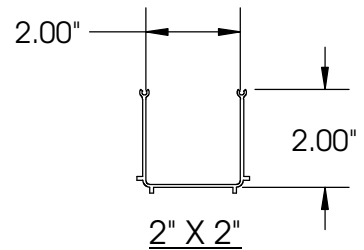


SLOTTED OPENINGS ARE OFFSET STAGGERED FROM SIDE TO SIDE

TYPICAL SLOTTED RACEWAY



- NOTES:
- ALL SIZES AVAILABLE IN 6.3 FT (2 METER) LENGTHS.
  - TWO PLACE DECIMAL DIMENSIONS ARE APPROX. DUE TO METRIC TO INCH CONVERSION.
  - FIRE RETARDENT PLASTIC, HALOGEN FREE, UL-94V0 RATED.
  - IT IS RECOMMENDED TO SUPPORT THE RACEWAY EVERY 36" (900mm).
  - MOUNTING BRACKETS SHOULD BE MOUNTED CLOSE TO A JOINER IF POSSIBLE.

SIZE IN/(MM)	ORTRONICS P/N	COLOR
2" X 2" (50 X 50)	MMFSL2X2-Y	YELLOW
4" X 2" (100 X 50)	MMFSL4X2-Y	YELLOW
4" X 4" (100 X 100)	MMFSL4X4-Y	YELLOW
4" X 8" (100 X 220)	N/A	N/A
12" X 4" (100 X 300)	N/A	N/A

NOTE: REPLACE "Y" FOR YELLOW WITH "B" FOR BLACK OR "O" FOR ORANGE. MINIMUM QUANTITIES REQUIRED. CONTACT YOUR CUSTOMER SERVICE REPRESENTATIVE (CSR).

\*\*\* NOTICE \*\*\*  
 THIS DOCUMENT CONTAINS CONFIDENTIAL AND/OR PROPRIETARY INFORMATION INTENDED FOR USE ONLY BY THE INDIVIDUAL(S) PROVIDED. NEITHER THIS DOCUMENT, NOR ANY INFORMATION CONTAINED HEREIN, MAY BE COPIED, DISTRIBUTED, DISCLOSED TO ANY THIRD PARTY OR USED IN ANY MANNER OTHER THAN FOR WHICH IT HAS BEEN PROVIDED, WITHOUT THE PRIOR WRITTEN CONSENT OF ORTRONICS, INC. MANUFACTURING RELEASE, PRODUCT SPECIFICATIONS AND STANDARDS ARE SUBJECT TO CHANGE WITHOUT NOTICE.



125 EUGENE O'NEILL DRIVE  
 NEW LONDON, CT 06320  
 TEL: 860-445-3800  
 FAX: 860-405-2990  
 WWW.ORTRONICS.COM

TITLE		MM FIBER RACEWAY, SLOTTED SIDE EXIT			
NAME	DATE	SIZE	CAD FILE	DWG NO	REV
DWN	J.QUINN	A	MMFSLXXxYYZC	OR-MMFSLXXxYY-Z	00
CHK	J.LUCY	SCALE	WEIGHT	SHEET	
APPR	C.VACCA	1:48		1 OF 1	