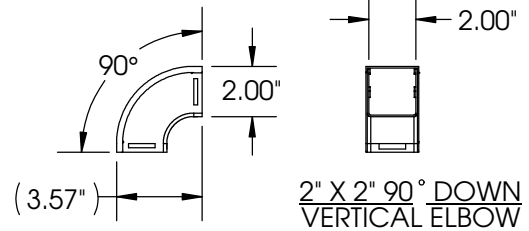
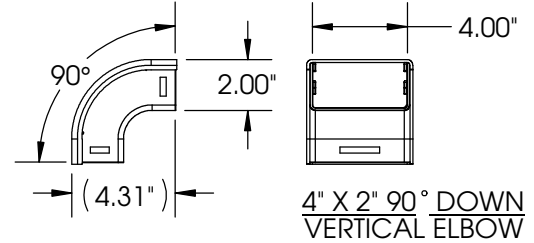


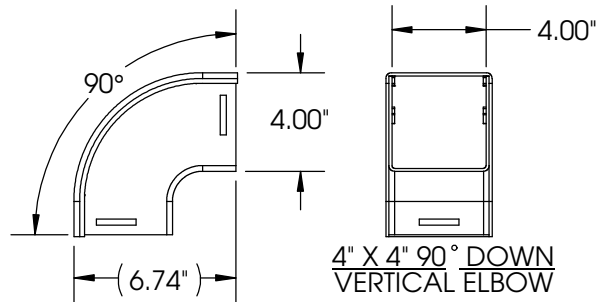
TYPICAL 90° DOWN ELBOW



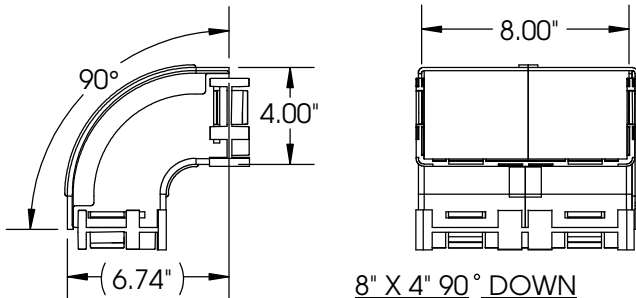
2" X 2" 90° DOWN VERTICAL ELBOW



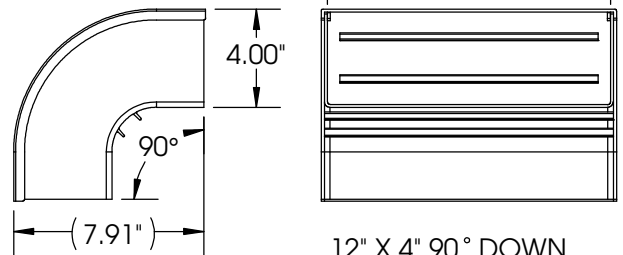
4" X 2" 90° DOWN VERTICAL ELBOW



4" X 4" 90° DOWN VERTICAL ELBOW



8" X 4" 90° DOWN VERTICAL ELBOW



12" X 4" 90° DOWN VERTICAL ELBOW

NOTES:

- TWO PLACE DECIMAL DIMENSIONS ARE APPROX. DUE TO METRIC TO INCH CONVERSION.
- FIRE RETARDANT PLASTIC, HALOGEN FREE, UL-94VO RATED.
- (2) RACEWAY JOINERS INCLUDED ON 8" X 4" 90° DOWN ELBOW ONLY.

SIZE IN/(MM)	ORTRONICS P/N	COLOR
2" X 2" (50 X 50)	MMFVEC90D2X2-Y	YELLOW
4" X 2" (100 X 50)	MMFVEC90D4X2-Y	YELLOW
4" X 4" (100 X 100)	MMFVEC90D4X4-Y	YELLOW
4" X 8" (100 X 220)	MMFVEC90D8X4-Y	YELLOW
12" X 4" (100 X 300)	MMFVEC90D12X4-Y	YELLOW

NOTE: REPLACE "Y" FOR YELLOW WITH "B" FOR BLACK OR "O" FOR ORANGE. MINIMUM QUANTITIES REQUIRED. CONTACT YOUR CUSTOMER SERVICE REPRESENTATIVE (CSR).

\*\*\* NOTICE \*\*\*  
 THIS DOCUMENT CONTAINS CONFIDENTIAL AND/OR PROPRIETARY INFORMATION INTENDED FOR USE ONLY BY THE INDIVIDUAL(S) PROVIDED. NEITHER THIS DOCUMENT, NOR ANY INFORMATION CONTAINED HEREIN, MAY BE COPIED, DISTRIBUTED, DISCLOSED TO ANY THIRD PARTY OR USED IN ANY MANNER OTHER THAN FOR WHICH IT HAS BEEN PROVIDED, WITHOUT THE PRIOR WRITTEN CONSENT OF ORTRONICS, INC. MANUFACTURING RELEASE, PRODUCT SPECIFICATIONS AND STANDARDS ARE SUBJECT TO CHANGE WITHOUT NOTICE.



125 EUGENE O'NEILL DRIVE  
 NEW LONDON, CT 06320  
 TEL: 860-445-3800  
 FAX: 860-405-2990  
 WWW.ORTRONICS.COM

TITLE		MM FIBER RACEWAY, VERTICAL ELBOW 90 DEG DOWN W/COVER			
NAME	DATE	SIZE	CAD FILE	DWG NO	REV
DWN	J.QUINN	A	MMFVEC90DXXxYYZC	OR-MMFVEC90DXXxYY-Z	00
CHK	J.LUCY	SCALE	WEIGHT	SHEET	
APPR	C.VACCA	1:48		1 OF 1	