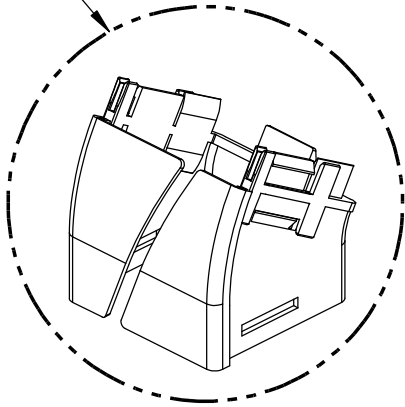
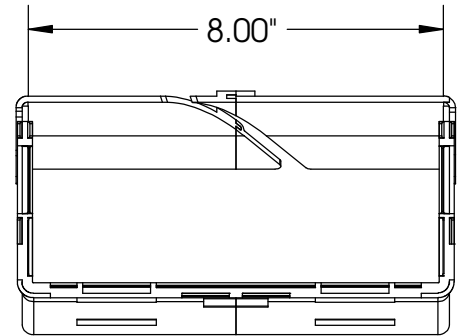
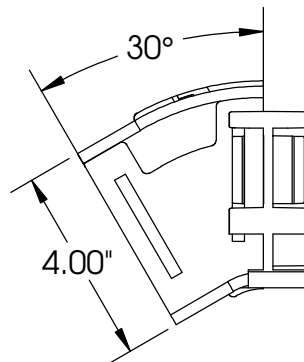


4" X 4" 30°DOWN
ELBOW RETROFIT



TYPICAL DOWN ELBOW RETROFIT



8" X 4" 30°DOWN
ELBOW RETROFIT

NOTES:

- RETROFIT PRODUCTS PROVIDE OPEN ACCESS AND WHERE CABLES ARE ALREADY IN PLACE.
- TWO PLACE DECIMAL DIMENSIONS ARE APPROX. DUE TO METRIC TO INCH CONVERSION.
- FIRE RETARDENT PLASTIC, HALOGEN FREE, UL-94VO RATED.
- SINGLE RACEWAY JOINERS ARE INCLUDED WITH THESE PRODUCTS.

SIZE IN/(MM)	ORTRONICS P/N	COLOR
2" X 2" (50 X 50)	N/A	N/A
4" X 2" (100 X 50)	N/A	N/A
4" X 4" (100 X 100)	MMFVER30D4X4-Y	YELLOW
4" X 8" (100 X 220)	MMFVER30D8X4-Y	YELLOW
12" X 4" (100 X 300)	N/A	N/A

NOTE: REPLACE "Y" FOR YELLOW WITH "B" FOR BLACK OR "O" FOR ORANGE. MINIMUM QUANTITIES REQUIRED. CONTACT YOUR CUSTOMER SERVICE REPRESENTATIVE (CSR).

*** NOTICE ***
THIS DOCUMENT CONTAINS CONFIDENTIAL AND/OR PROPRIETARY INFORMATION INTENDED FOR USE ONLY BY THE INDIVIDUAL(S) PROVIDED. NEITHER THIS DOCUMENT, NOR ANY INFORMATION CONTAINED HEREIN, MAY BE COPIED, DISTRIBUTED, DISCLOSED TO ANY THIRD PARTY OR USED IN ANY MANNER OTHER THAN FOR WHICH IT HAS BEEN PROVIDED, WITHOUT THE PRIOR WRITTEN CONSENT OF ORTRONICS, INC. MANUFACTURING RELEASE, PRODUCT SPECIFICATIONS AND STANDARDS ARE SUBJECT TO CHANGE WITHOUT NOTICE.



125 EUGENE O'NEILL DRIVE
NEW LONDON, CT 06320
TEL: 860-445-3800
FAX: 860-405-2990
WWW.ORTRONICS.COM

TITLE
MM FIBER RACEWAY, VERTICAL ELBOW
RETROFIT, 30DEG DOWN

	NAME	DATE	SIZE	CAD FILE	DWG NO	REV
DWN	J.QUINN	04/02/12	A	MMFVER30DXXxYYZC	OR-MMFVER30DXXxYY-Z	00
CHK	J.LUCY	05/01/12	SCALE	1:48	WEIGHT	SHEET
APPR	C.VACCA	05/01/12				1 OF 1