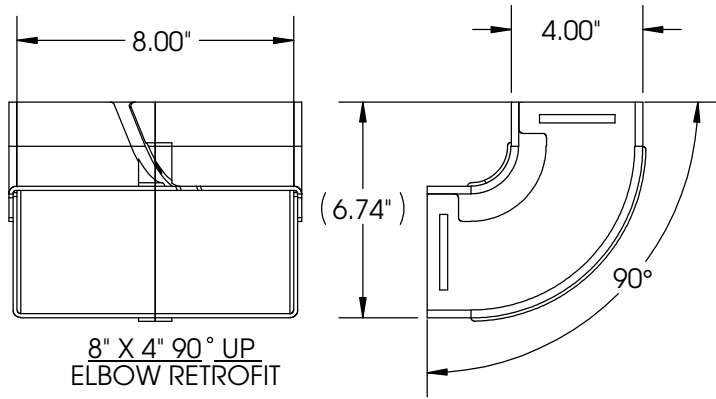
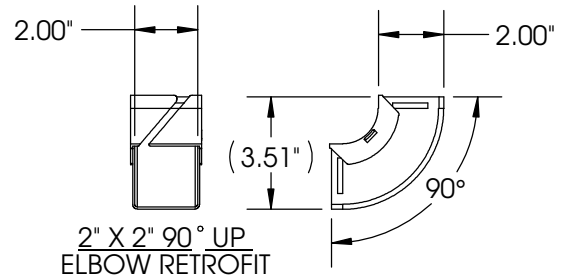


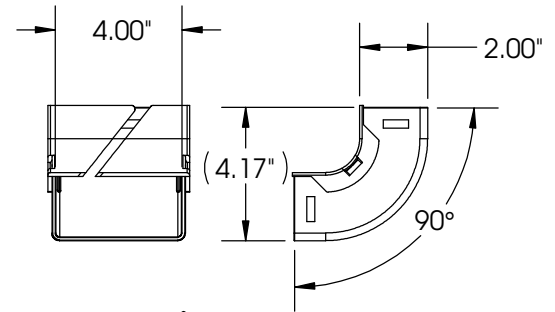
TYPICAL 90° UP ELBOW RETRO-FIT



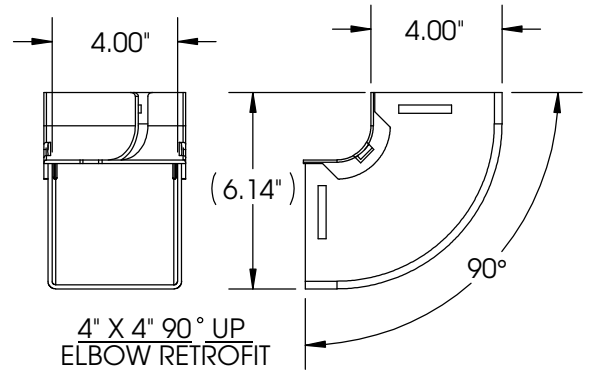
8" X 4" 90° UP ELBOW RETROFIT



2" X 2" 90° UP ELBOW RETROFIT



4" X 2" 90° UP ELBOW RETROFIT



4" X 4" 90° UP ELBOW RETROFIT

NOTES:

- RETROFIT PRODUCTS PROVIDE OPEN ACCESS AND ARE USED WHERE CABLES ARE ALREADY IN PLACE.
- (2) PLACE DECIMAL DIMENSIONS ARE APPROX. DUE TO METRIC TO INCH CONVERSION.
- FIRE RETARDENT PLASTIC, HALOGEN FREE, UL-94VO RATED.
- RACEWAY JOINERS SOLD SPERATELY.

SIZE IN/(MM)	ORTRONICS P/N	COLOR
2" X 2" (50 X 50)	MMFVER90U2X2-Y	YELLOW
4" X 2" (100 X 50)	MMFVER90U4X2-Y	YELLOW
4" X 4" (100 X 100)	MMFVER90U4X4-Y	YELLOW
4" X 8" (100 X 220)	MMFVER90U8X4-Y	YELLOW
12" X 4" (100 X 300)	N/A	N/A

NOTE: REPLACE "Y" FOR YELLOW WITH "B" FOR BLACK OR "O" FOR ORANGE. MINIMUM QUANTITIES REQUIRED. CONTACT YOUR CUSTOMER SERVICE REPRESENTATIVE (CSR).

\*\*\* NOTICE \*\*\*  
 THIS DOCUMENT CONTAINS CONFIDENTIAL AND/OR PROPRIETARY INFORMATION INTENDED FOR USE ONLY BY THE INDIVIDUAL(S) PROVIDED. NEITHER THIS DOCUMENT, NOR ANY INFORMATION CONTAINED HEREIN, MAY BE COPIED, DISTRIBUTED, DISCLOSED TO ANY THIRD PARTY OR USED IN ANY MANNER OTHER THAN FOR WHICH IT HAS BEEN PROVIDED, WITHOUT THE PRIOR WRITTEN CONSENT OF ORTRONICS, INC. MANUFACTURING RELEASE, PRODUCT SPECIFICATIONS AND STANDARDS ARE SUBJECT TO CHANGE WITHOUT NOTICE.



125 EUGENE O'NEILL DRIVE  
 NEW LONDON, CT 06320  
 TEL: 860-445-3800  
 FAX: 860-405-2990  
 WWW.ORTRONICS.COM

TITLE

MM FIBER RACEWAY, VERTICAL ELBOW 90DEG UP, RETROFIT

NAME	DATE	SIZE	CAD FILE	DWG NO	REV
DWN	J.QUINN	04/11/12	A	MMFVER90UXXxYYZC	OR-MMFVER90UXXxYY-Z
CHK	J.LUCY	05/01/12	SCALE	1:48	WEIGHT
APPR	C.VACCA	05/01/12	SHEET		1 OF 1