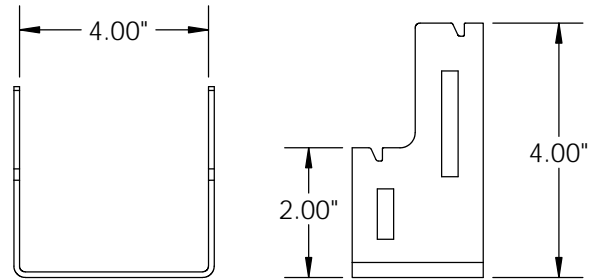
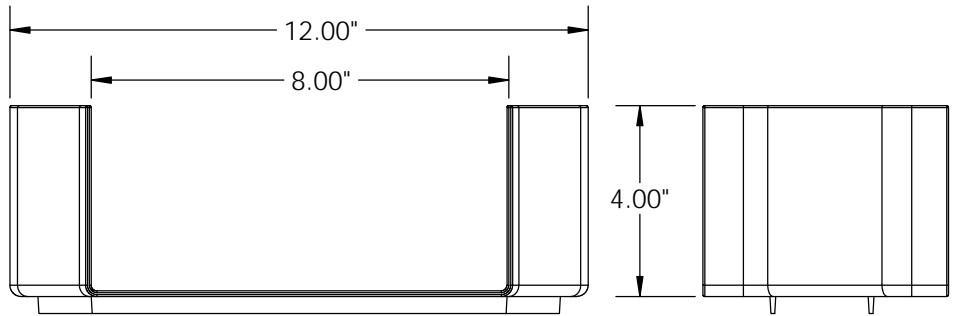


TYPICAL RACEWAY REDUCER



4" X 4" REDUCER
TO 4" X 2"



12" X 4" REDUCER
TO 8" X 4"

NOTES:

- TWO PLACE DECIMAL DIMENSIONS ARE APPROX. DUE TO METRIC TO INCH CONVERSION.
- FIRE RETARDANT PLASTIC, HALOGEN FREE, UL-94VO RATED.
- RACEWAY JOINERS SOLD SEPARATELY.

SIZE IN/[MM]	ORTRONICS P/N	COLOR
4" X 4" [100 X 100] REDUCE TO 4" X 2" [100 X 50]	MMF4X4R4X2-Y	YELLOW
12" X 4" [100 X 300] REDUCE TO 8" X 4" [220 X 100]	MMF12X4R8X4-Y	YELLOW

NOTE: REPLACE "Y" FOR YELLOW WITH "B" FOR BLACK OR "O" FOR ORANGE. MINIMUM QUANTITIES REQUIRED. CONTACT YOUR CUSTOMER SERVICE REPRESENTATIVE (CSR).

<p>*** NOTICE ***</p> <p>THIS DOCUMENT CONTAINS CONFIDENTIAL AND/OR PROPRIETARY INFORMATION INTENDED FOR USE ONLY BY THE INDIVIDUAL(S) PROVIDED. NEITHER THIS DOCUMENT, NOR ANY INFORMATION CONTAINED HEREIN, MAY BE COPIED, DISTRIBUTED, DISCLOSED TO ANY THIRD PARTY OR USED IN ANY MANNER OTHER THAN FOR WHICH IT HAS BEEN PROVIDED, WITHOUT THE PRIOR WRITTEN CONSENT OF ORTRONICS, INC. MANUFACTURING RELEASE, PRODUCT SPECIFICATIONS AND STANDARDS ARE SUBJECT TO CHANGE WITHOUT NOTICE.</p>				<p>125 EUGENE O'NEILL DRIVE NEW LONDON, CT 06320 TEL: 860-445-3800 FAX: 860-405-2990 WWW.ORTRONICS.COM</p>		
		<p>TITLE</p> <p>MM FIBER RACEWAY, REDUCER, HORIZONTAL STYLE</p>				
	NAME	DATE	SIZE	CAD FILE	DWG NO	REV
DWN	J. QUINN	04/23/12	A	MMFXXxYYRXXxYYZC	OR-MMFXXxYYRXXxYY-Z	00
CHK	J. LUCY	05/01/12	SCALE	1:48	WEIGHT	SHEET
APPR	C. VACCA	05/01/12				1 OF 1