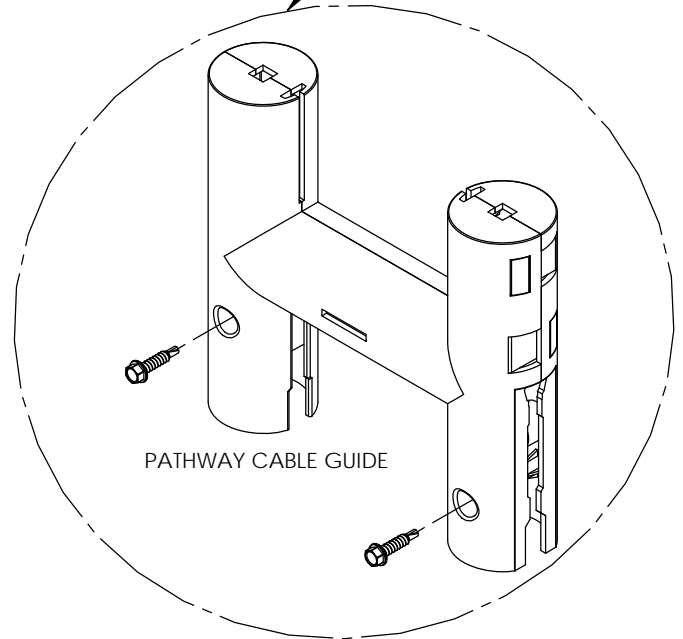
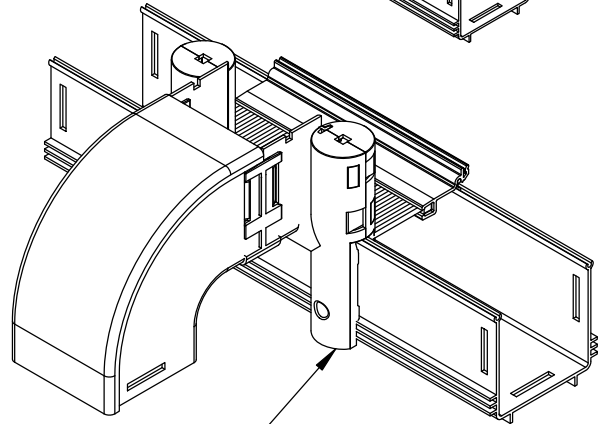
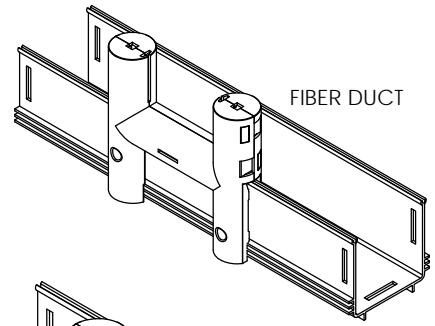
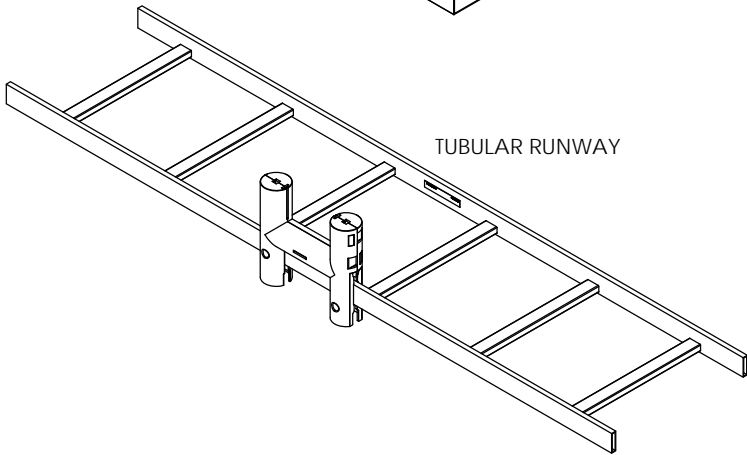
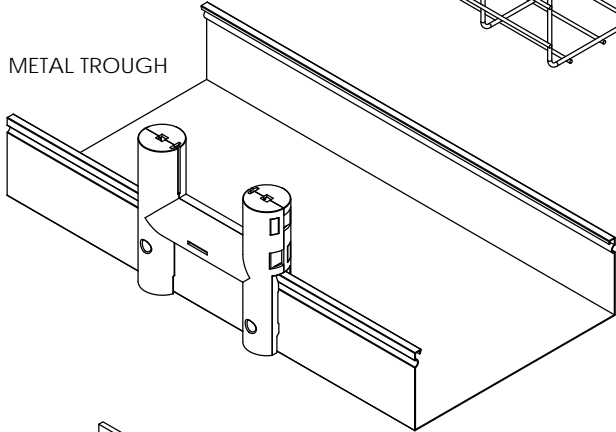
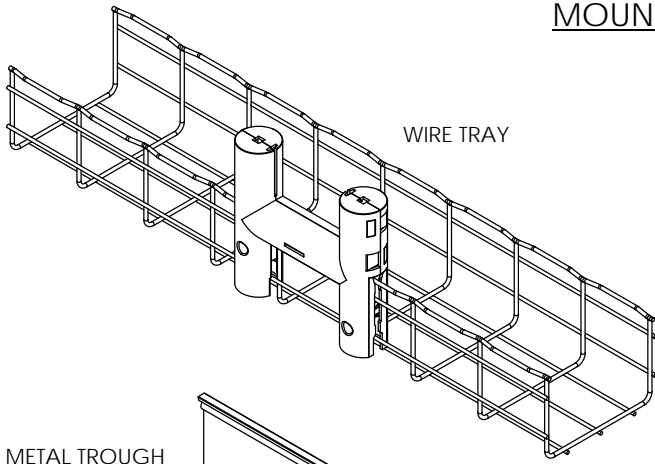


MOUNTS TO:



PART NUMBER DESIGNATIONS	
PART NO.	"X" DENOTES FINISH
OR-PCG4W-Y	YELLOW

ASSEMBLY INCLUDES:

- PATHWAY CABLE GUIDE
- (2) SELF-DRILLING MOUNTING SCREWS

FIRE RETARDENT PLASTIC, HALOGEN FREE, UL94-VO RATED.

*** NOTICE ***
 THIS DOCUMENT CONTAINS CONFIDENTIAL AND/OR PROPRIETARY INFORMATION INTENDED FOR USE ONLY BY THE INDIVIDUAL(S) PROVIDED. NEITHER THIS DOCUMENT, NOR ANY INFORMATION CONTAINED HEREIN, MAY BE COPIED, DISTRIBUTED, DISCLOSED TO ANY THIRD PARTY OR USED IN ANY MANNER OTHER THAN FOR WHICH IT HAS BEEN PROVIDED, WITHOUT THE PRIOR WRITTEN CONSENT OF ORTRONICS, INC. MANUFACTURING RELEASE, PRODUCT SPECIFICATIONS AND STANDARDS ARE SUBJECT TO CHANGE WITHOUT NOTICE.



125 EUGENE O'NEILL DRIVE
 NEW LONDON, CT 06320
 TEL: 860-445-3800
 FAX: 860-405-2990
 WWW.ORTRONICS.COM

TITLE		PATHWAY CABLE GUIDE, 4" WIDE			
NAME	DATE	SIZE	CAD FILE	DWG NO	REV
DWN	JQ	A	PCG4WXC	OR-PCG4W-X	00
CHK	CAC	SCALE	1:4	SHEET	1 OF 1
APPR	CV				