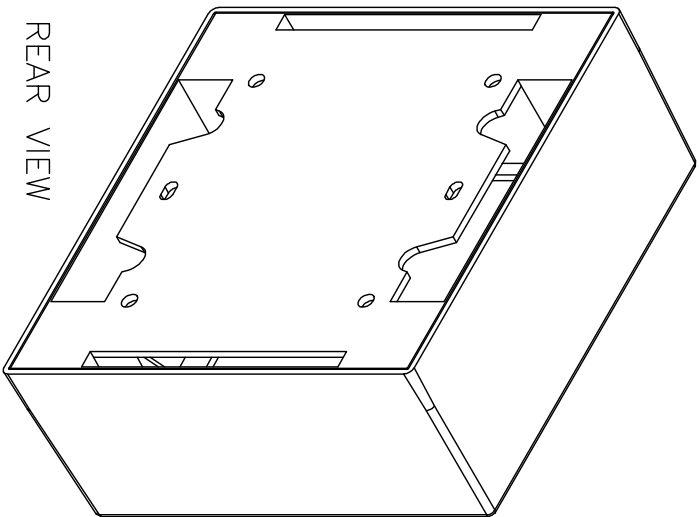



FRONT VIEW



REAR VIEW


 4 MOUNTING SCREWS
 INCLUDED

*** NOTICE ***
 THIS DOCUMENT CONTAINS CONFIDENTIAL AND/OR PROPRIETARY INFORMATION INTENDED FOR USE ONLY BY THE INDIVIDUAL(S) SPECIFIED HEREIN AND ONLY FOR THE PURPOSE(S) PROVIDED. NEITHER THIS DOCUMENT, NOR ANY INFORMATION CONTAINED HEREIN, MAY BE COPIED, DISTRIBUTED, DISCLOSED TO ANY THIRD PARTY OR USED IN ANY MANNER OTHER THAN FOR WHICH IT HAS BEEN PROVIDED, WITHOUT THE PRIOR WRITTEN CONSENT OF ORTRONICS, INC.

 NEW LONDON, CT 06320 (860) 445-3800		TITLE	
DWN:BY: Dboque	DATE: 05/15/97	SURFACE MOUNT BOX, DOUBLE GANG 2.0" x 4.70" x 4.85", ONE PIECE	
CHK:BY: J. GRASSO	DATE: 04/15/05	SIZE: A	CAD FILE: 40300186XXC
APP:BY: M. MARTICH	DATE: 04/15/05	SCALE: NONE	PART NUMBER: 0R-40300186-XX
		REL: 08/26/09	SHEET: 1 OF 1
		REV: 06	