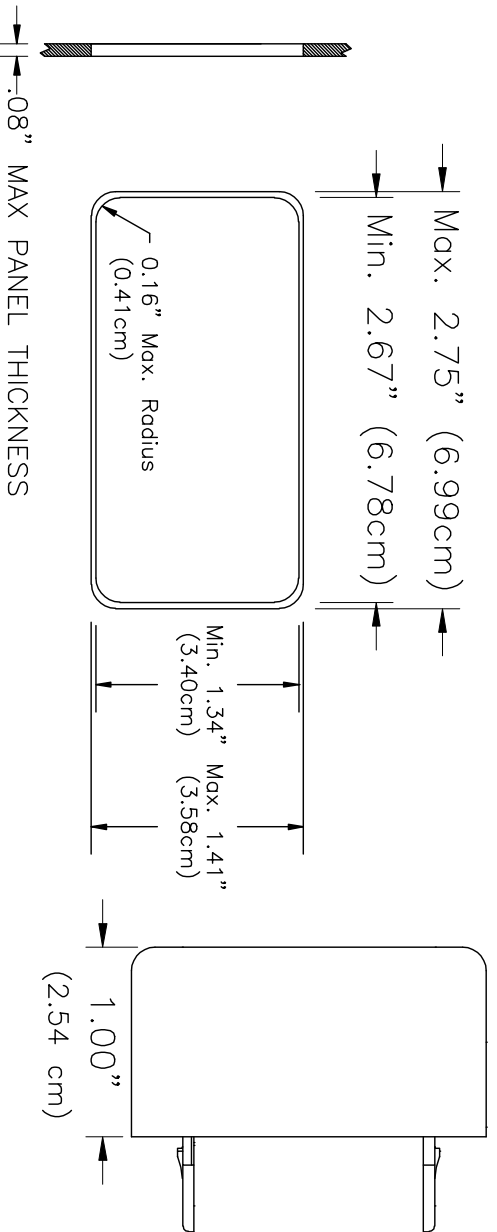
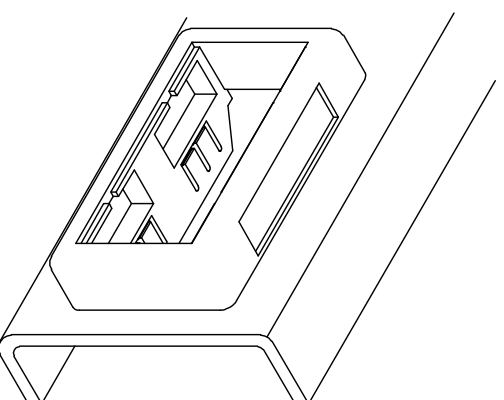
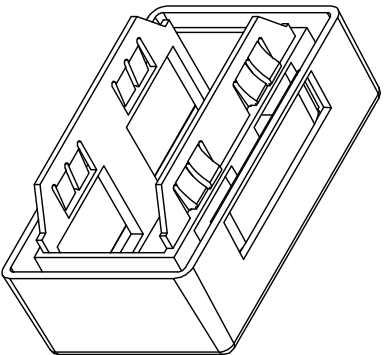
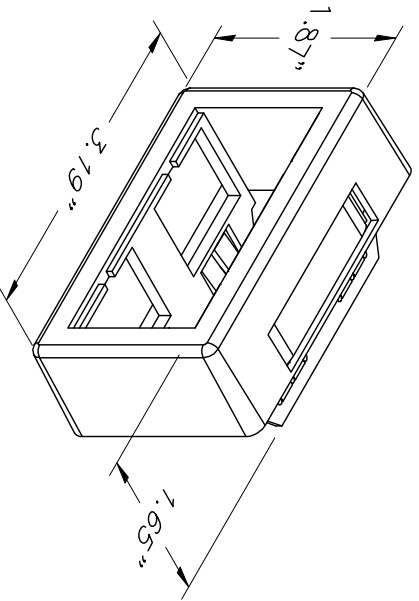


The Furniture bezel is compatible with recognized TIA/EIA-T569-A furniture openings:



PART NO.	COLOR
40700073	FOG WHITE
40700073-00	BLACK

Furniture Bezel Holds 1-3 Port Tracjack Adapter.



*** NOTICE ***

THIS DOCUMENT CONTAINS CONFIDENTIAL AND/OR PROPRIETARY INFORMATION INTENDED FOR USE ONLY BY THE INDIVIDUAL(S) SPECIFIED HEREIN AND ONLY FOR THE PURPOSE(S) PROVIDED. NEITHER THIS DOCUMENT, NOR ANY INFORMATION CONTAINED HEREIN, MAY BE COPIED, DISTRIBUTED, DISCLOSED TO ANY THIRD PARTY OR USED IN ANY MANNER OTHER THAN FOR WHICH IT HAS BEEN PROVIDED, WITHOUT THE PRIOR WRITTEN CONSENT OF ORTRONICS, INC.



NEW LONDON, CT 06320
(860) 445-3800

DWN.BY: R. WERS DATE: 12/19/97

CHK.BY: J. LUCY 07/13/09

APP.BY: W. DIETZ 07/20/09

TITLE

FURNITURE, BEZEL 3.18x1.87, 1.00" DEEP
Min. 1.34" x 2.67", Max. 1.41" x 2.75"

SIZE	CAD FILE	PART NUMBER	REV
A	40700073XXC	0R-40700073-XX	09

SCALE	DATE	SHEET
NONE	08/26/09	1 OF 1