

NOTES:

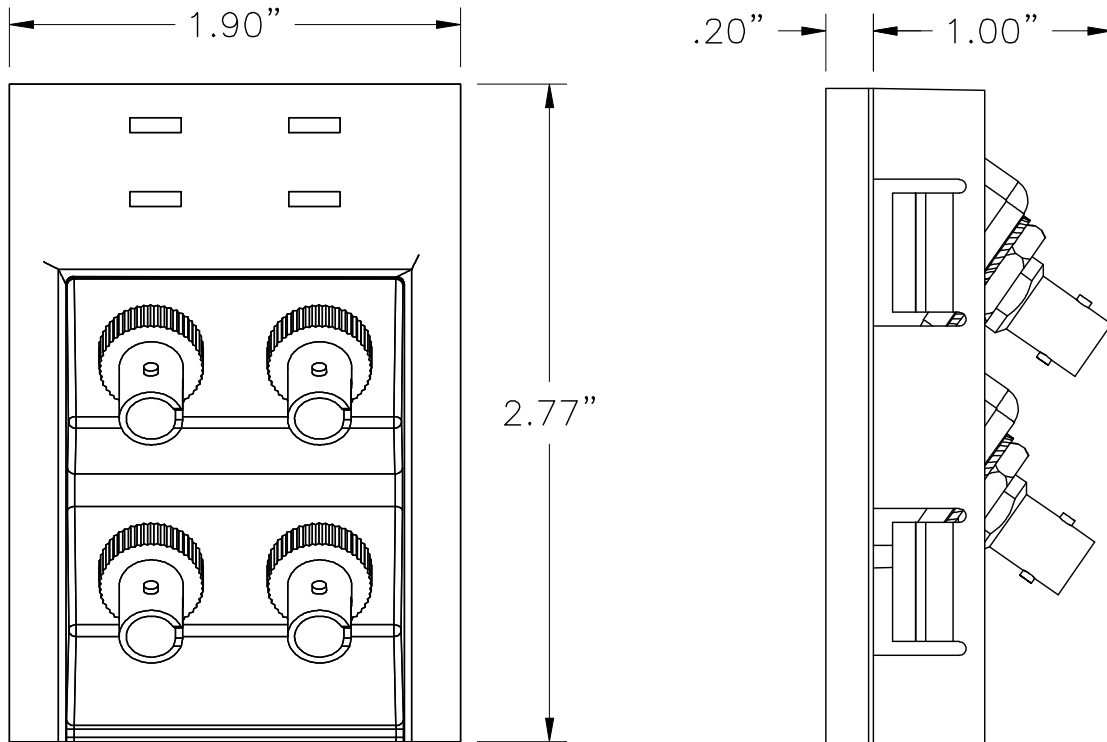
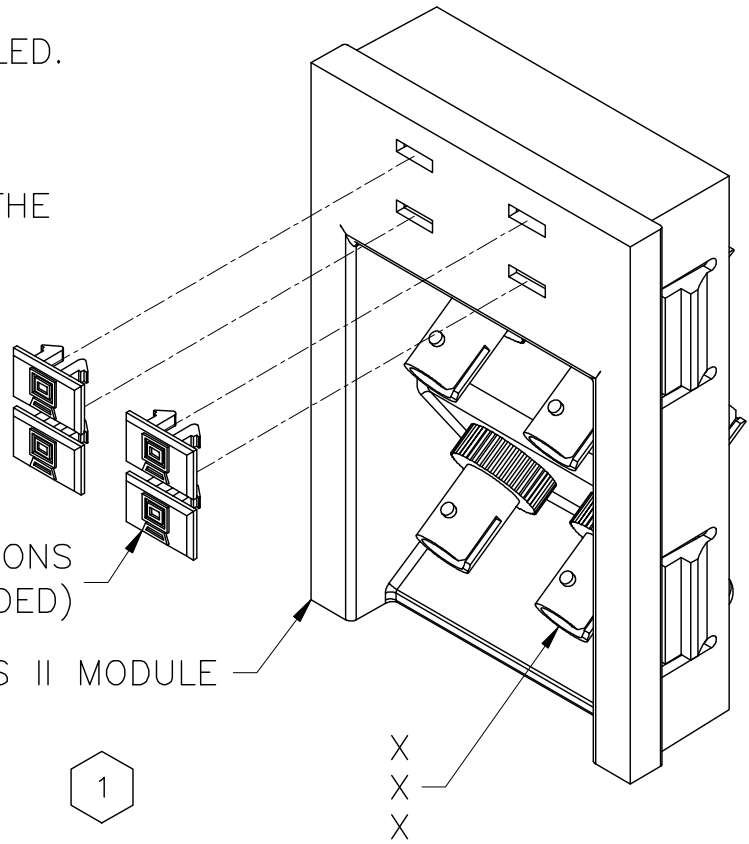
1. DUSTCAPS ARE PROVIDED INSTALLED.
2. DIMENSIONS ARE IN INCHES.
3. THE "-XX" AT THE END OF THE PART NUMBER SHALL INDICATE THE SHALL BE IN ACCORDANCE WITH ORTRONICS SPECIFICATION #OR-71601388.

⬡ INDICATES NOTE REFERENCE

OPTIONAL ICONS (NOT INCLUDED)

⬡ 3 SERIES II MODULE

⬡ 1



*** NOTICE ***

THIS DOCUMENT CONTAINS CONFIDENTIAL AND/OR PROPRIETARY INFORMATION INTENDED FOR USE ONLY BY THE INDIVIDUAL(S) SPECIFIED HEREIN AND ONLY FOR THE PURPOSE(S) PROVIDED. NEITHER THIS DOCUMENT, NOR ANY INFORMATION CONTAINED HEREIN, MAY BE COPIED, DISTRIBUTED, DISCLOSED TO ANY THIRD PARTY OR USED IN ANY MANNER OTHER THAN FOR WHICH IT HAS BEEN PROVIDED, WITHOUT THE PRIOR WRITTEN CONSENT OF ORTRONICS, INC.



DWN.BY:	DUPREY	DATE	02/20/04
CHK.BY:	J. LUCY	DATE	07/27/09
APP.BY:	W. DIETZ	DATE	07/27/09

TITLE
SERIES II, 4 ST SIMPLEX ADAPTERS, MULTIMODE, BRONZE SLEEVES, 55' EXIT, 3 UNIT HIGH

SIZE	CAD FILE	PART NUMBER	REV
A	60900086XXC	OR-60900086-XX	03
SCALE	REL DATE	SHEET	
NONE	06/03/09	1 OF 1	