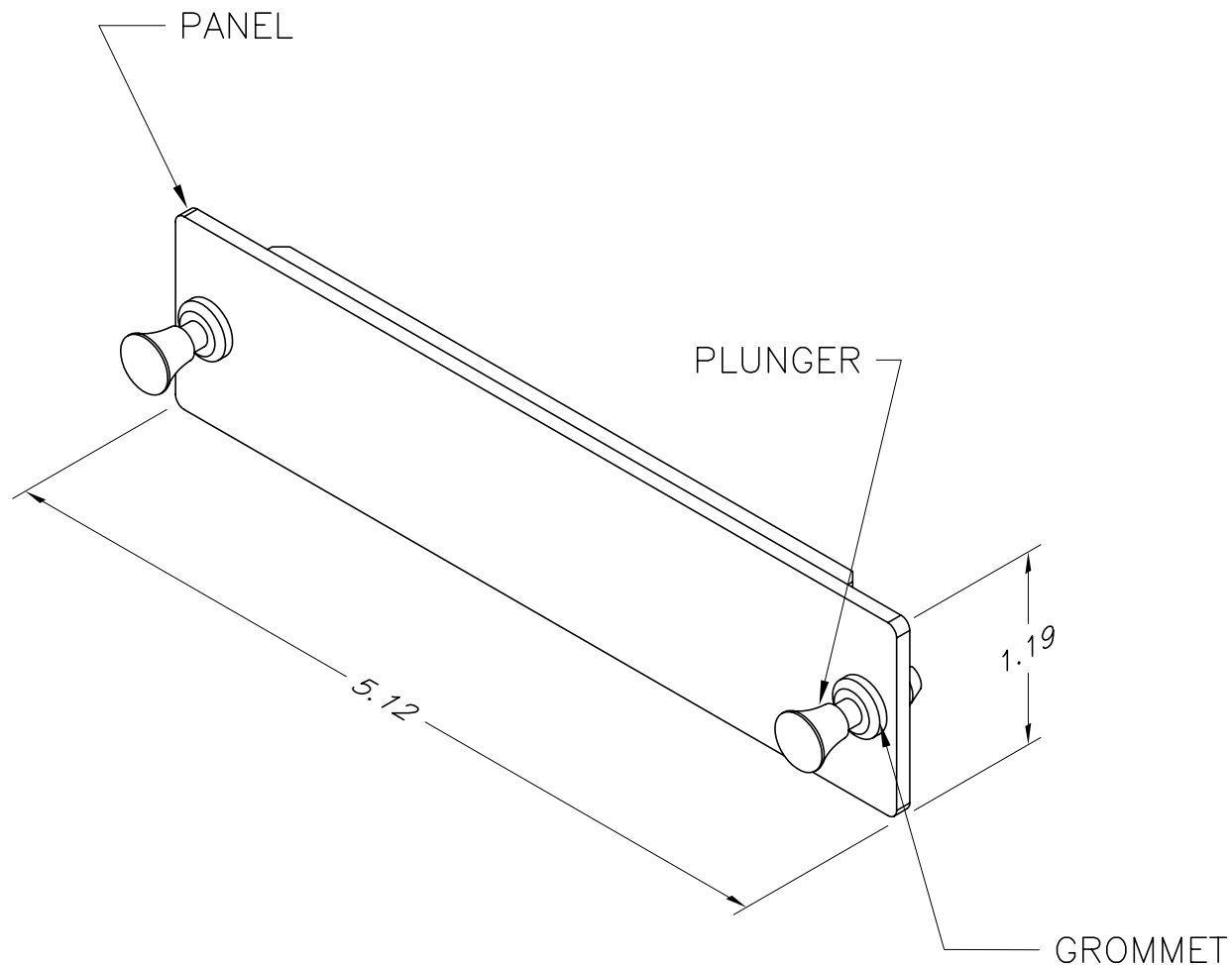



NOTES:

1. DIMENSIONS ARE INCHES.



<p>*** NOTICE ***</p> <p>THIS DOCUMENT CONTAINS CONFIDENTIAL AND/OR PROPRIETARY INFORMATION INTENDED FOR USE ONLY BY THE INDIVIDUAL(S) SPECIFIED HEREIN AND ONLY FOR THE PURPOSE(S) PROVIDED. NEITHER THIS DOCUMENT, NOR ANY INFORMATION CONTAINED HEREIN, MAY BE COPIED, DISTRIBUTED, DISCLOSED TO ANY THIRD PARTY OR USED IN ANY MANNER OTHER THAN FOR WHICH IT HAS BEEN PROVIDED, WITHOUT THE PRIOR WRITTEN CONSENT OF ORTRONICS, INC.</p>	 NEW LONDON, CT 06320 (860) 445-3800		TITLE			
	DWN.BY: RYNASKI DATE: 5/18/05		PANEL ASSY, BLANK			
	CHK.BY: A.M. DATE: 6/2/05		SIZE: A	CAD FILE: OFPBLANKC	PART NUMBER: OR-OFP-BLANK	REV: 01
	APP.BY: M.E.M. DATE: 6/3/05		SCALE: NONE	DATE: 05/24/07	SHEET: 1 OF 1	