

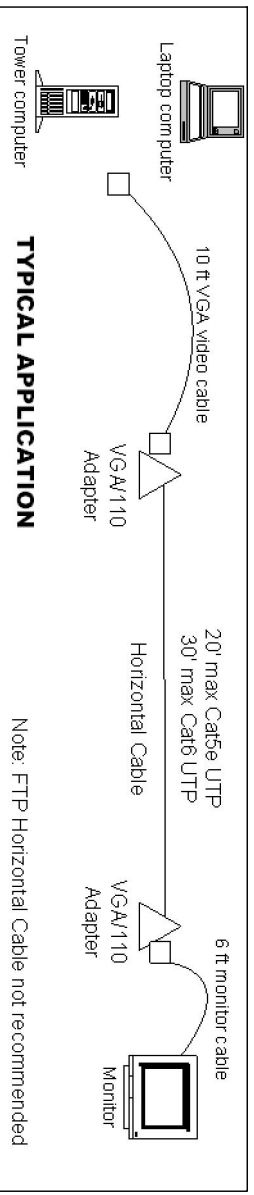
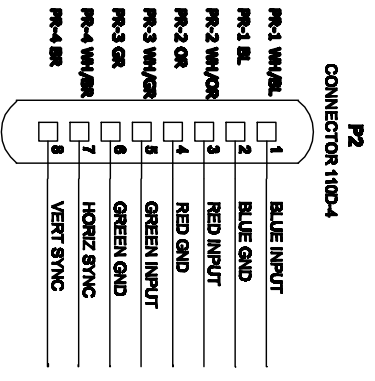
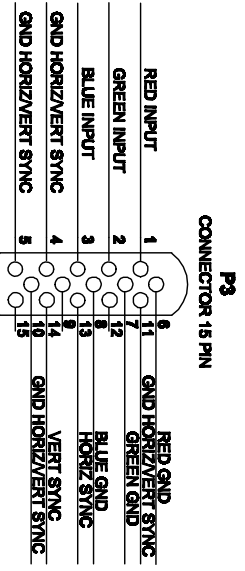
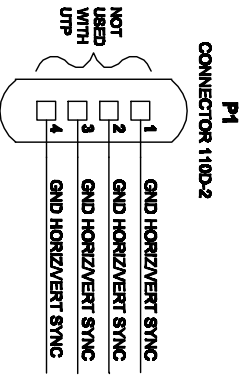
FACEPLATE

COVER STRIP (CLEAR) 4x

PAPER 4x

MOUNTING SCREWS 4x

PART NO.	COLOR
OR-KSFP8V110	FOG WHITE
OR-KSFP8V110-13	ELEC IVORY



TYPICAL APPLICATION

Note: FTP Horizontal Cable not recommended

- PR-1 WM/BL BLUE INPUT
- PR-1 BL BLUE GND
- PR-2 WM/OR RED INPUT
- PR-2 OR RED GND
- PR-3 WM/OR GREEN INPUT
- PR-3 OR GREEN GND
- PR-4 WM/BL HORIZ SYNC
- PR-4 BL VERT SYNC

*** NOTICE ***
 THIS DOCUMENT CONTAINS CONFIDENTIAL AND/OR PROPRIETARY INFORMATION. INTENDED FOR USE ONLY BY THE INDIVIDUAL(S) SPECIFIED HEREIN AND ONLY FOR THE PURPOSE(S) PROVIDED. NEITHER THIS DOCUMENT, NOR ANY INFORMATION CONTAINED HEREIN, MAY BE COPIED, DISTRIBUTED, DISCLOSED TO ANY THIRD PARTY OR USED IN ANY MANNER OTHER THAN FOR WHICH IT HAS BEEN PROVIDED, WITHOUT THE PRIOR WRITTEN CONSENT OF ORTRONICS, INC.



TITLE
 FP, TechChoice, KEYSTONE, 8 HOLE, 2/VGA 110
 DG, CVR, PAPER, TAB, SCREW, KIT

DWN.BY: C. COLLELO	DATE: 02/22/06	SIZE: A	CAD FILE: KSFP8V110XXC	PART NUMBER: OR-KSFP8V110-XX	REV: 03
CHK.BY: S. LEVESQUE	DATE: 02/24/06	SCALE: NONE	REL DATE: 04/29/09	SHEET: 1 OF 1	
APP.BY: M. WARTICH	DATE: 02/24/06				