

4

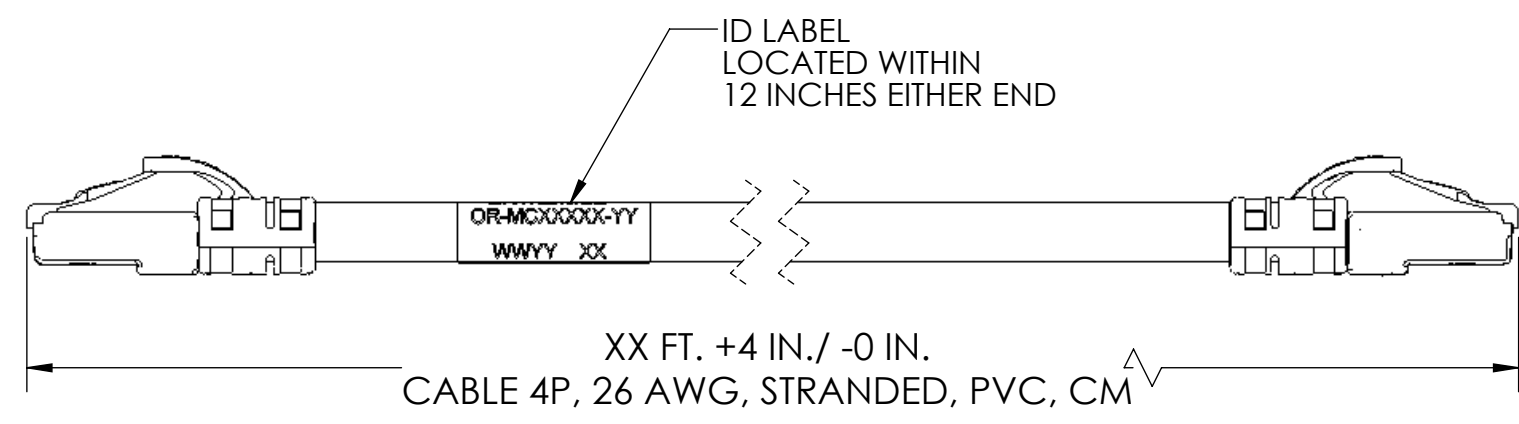
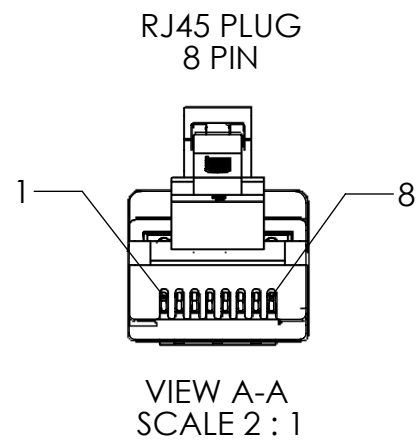
3

2

1

D

D



C

C

WIRE MAP			
8P8C PIN #	WIRE COLOR	8P8C PIN #	568B PAIRING
5	WHT/BLU	5	1
4	BLU	4	
1	WHT/ORG	1	2
2	ORG	2	
3	WHT/GRN	3	3
6	GRN	6	
7	WHT/BRN	7	4
8	BRN	8	

NOTE: XX=LENGTH IN FEET

PART NO. MC610XX-YY	LENGTH
MC61003-YY	3
MC61005-YY	5
MC61007-YY	7
MC61009-YY	9
MC61015-YY	15
MC61020-YY	20
MC61025-YY	25

NOTE: YY=COLOR

-YY	COLOR
-02	RED
-03	ORANGE
-04	YELLOW
-05	GREEN
-06	BLUE
-08	GRAY
-09	FOG WHITE

B

B

A

A

<p>*** NOTICE *** THIS DOCUMENT CONTAINS CONFIDENTIAL AND/OR PROPRIETARY INFORMATION INTENDED FOR USE ONLY BY THE INDIVIDUAL(S) PROVIDED. NEITHER THIS DOCUMENT, NOR ANY INFORMATION CONTAINED HEREIN, MAY BE COPIED, DISTRIBUTED, DISCLOSED TO ANY THIRD PARTY OR USED IN ANY MANNER OTHER THAN FOR WHICH IT HAS BEEN PROVIDED, WITHOUT THE PRIOR WRITTEN CONSENT OF ORTRONICS, INC.</p>					<p>125 EUGENE O'NEILL DRIVE NEW LONDON, CT 06320 TEL: 860-445-3800 FAX: 860-405-2990 WWW.ORTRONICS.COM</p>	
<p>TITLE CORD, MOD, CLARITY, 10G, 4P, 26G, ST, PVC, CM</p>						
	NAME	DATE	SIZE	CAD FILE	DWG NO	REV
DWN	HATHAWAY	09/26/05	B	MC610XXYYC	OR-MC610XX-YY	05
CHK	C. COLLELO	10/07/05	SCALE 1:1		SHEET 1 OF 1	
APPR	M. MARTICH	10/07/05				

4

3

2

1