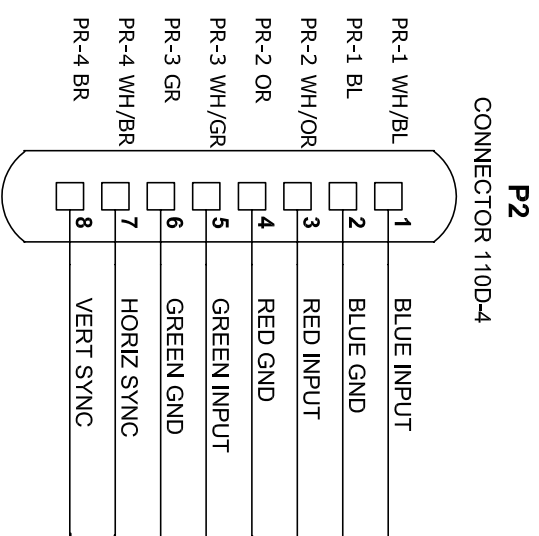
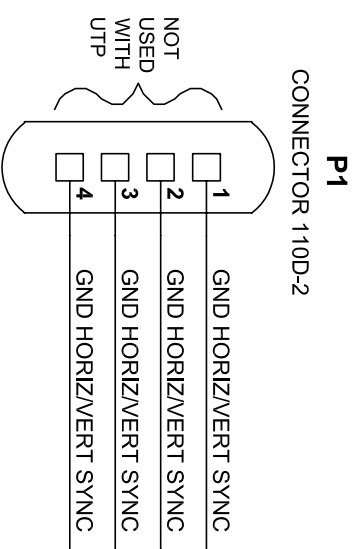
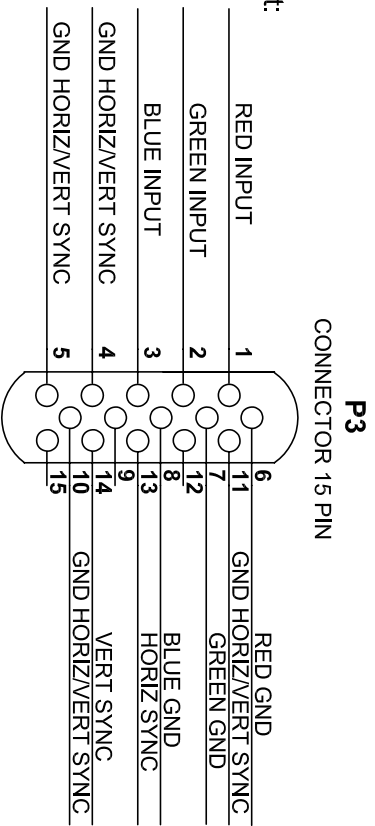


WIRING INSTRUCTIONS:



UTP Cable Connections as follows:



CAD: 716014871

INSTRUCTION SHEET #	REV.	ECN #	SHEET	DWN.BY:	DATE	CHK.BY:	DATE	APP.BY:	DATE
71601487	01	3305	1 of 1	R. IVERS	08/25/06	C.A.C.	08/25/06	M.E.M.	08/25/06